

Sheet: Shift IN Trig IN OUT

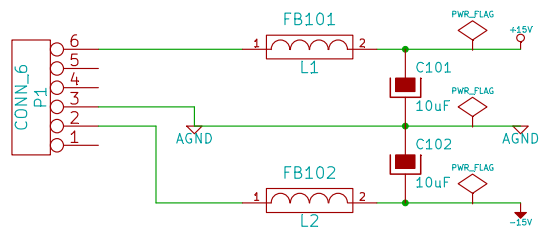
File: 962-Shift IN Trig IN OUT.sch

Sheet: Shift register

File: 962-Shift register.sch

Sheet: Signal IN OUT

File: 962-Signal IN OUT.sch



SynthR

File: 962-clone.sch

Sheet: /

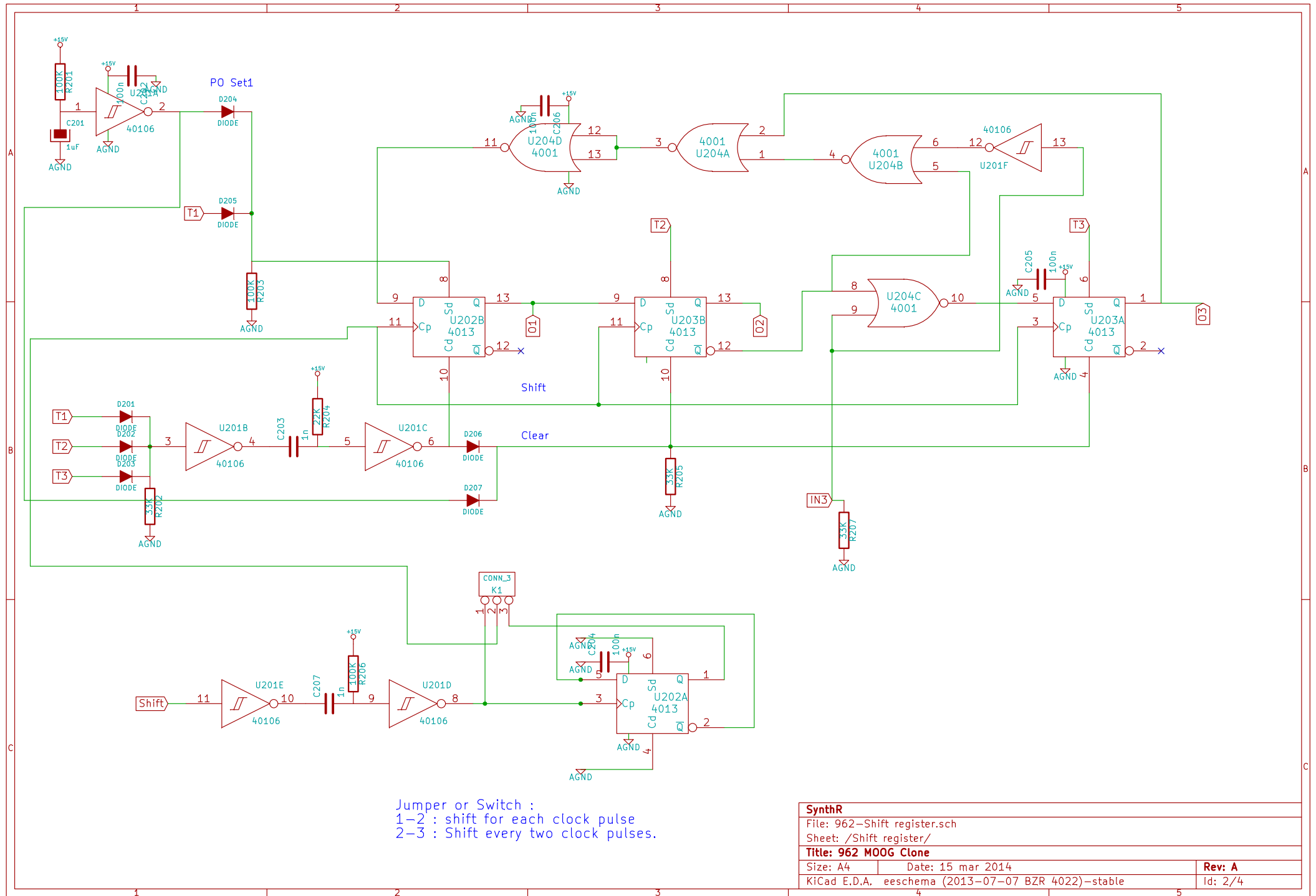
Title: 962 MOOG Clone

Size: A4 Date: 15 mar 2014

Rev: A

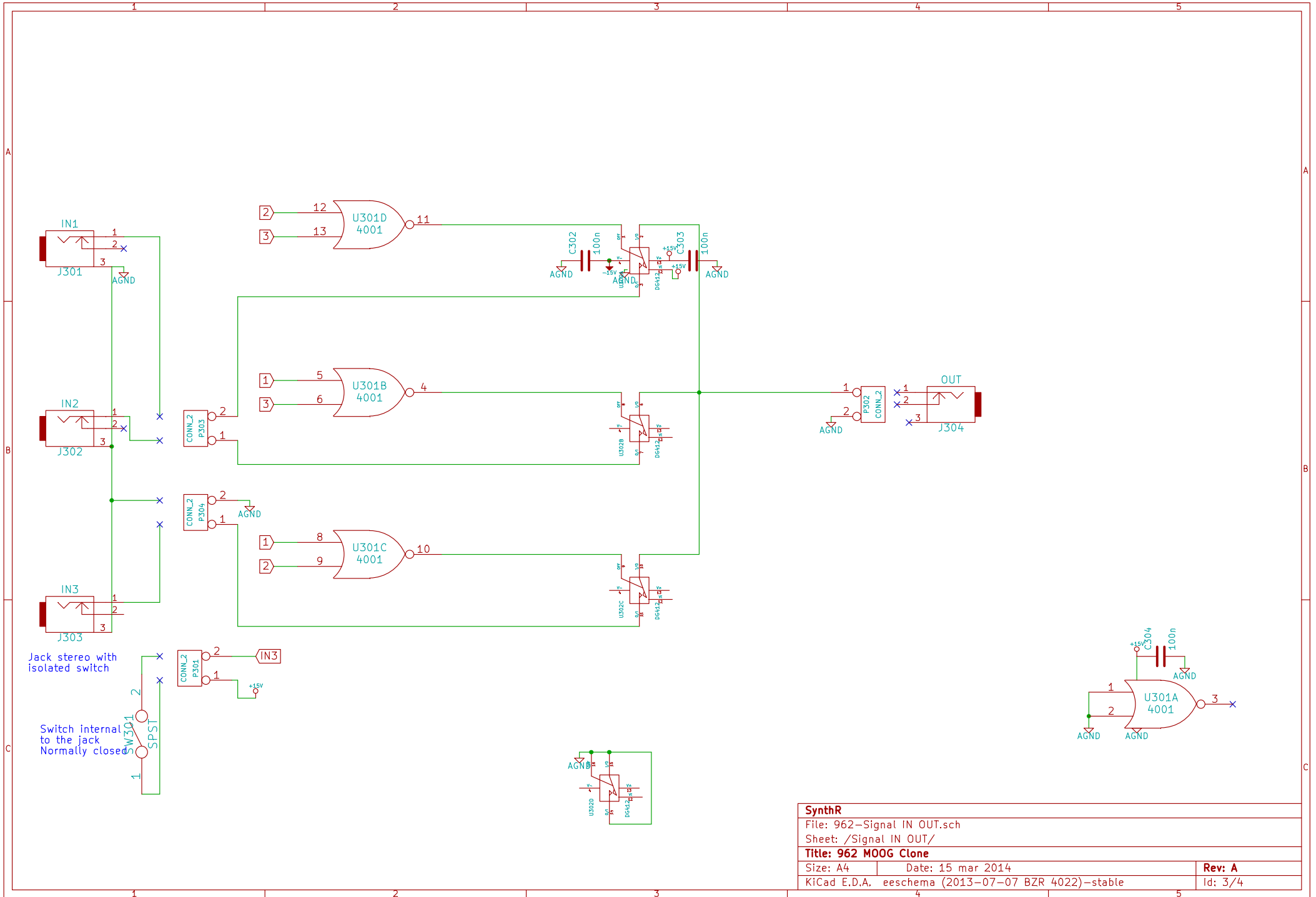
KiCad E.D.A. eeschema (2013-07-07 BZR 4022)-stable

Id: 1/4

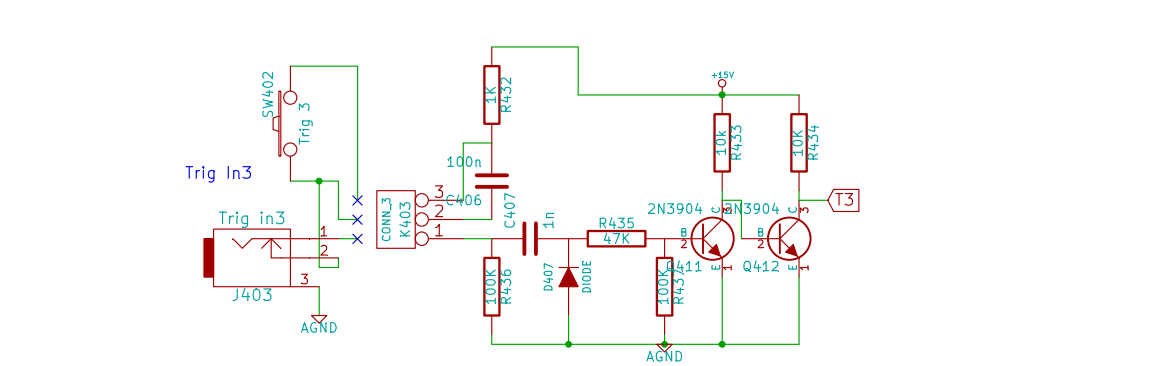
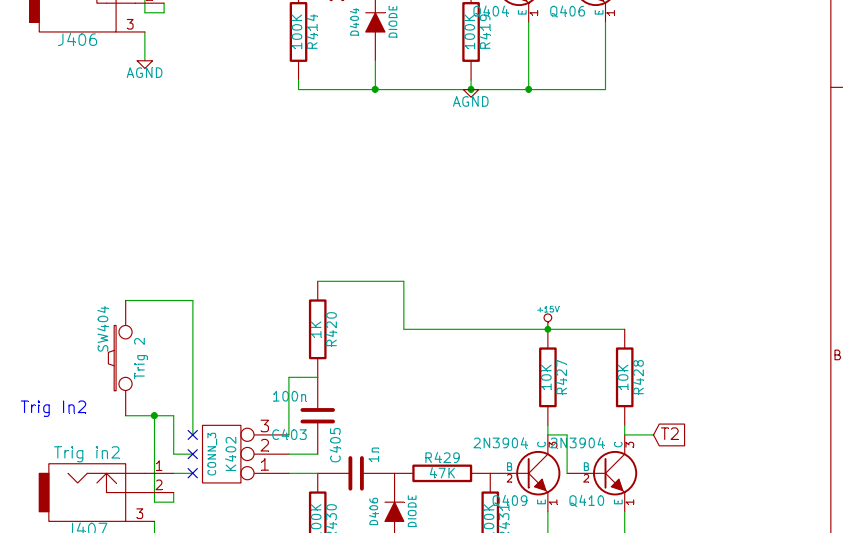
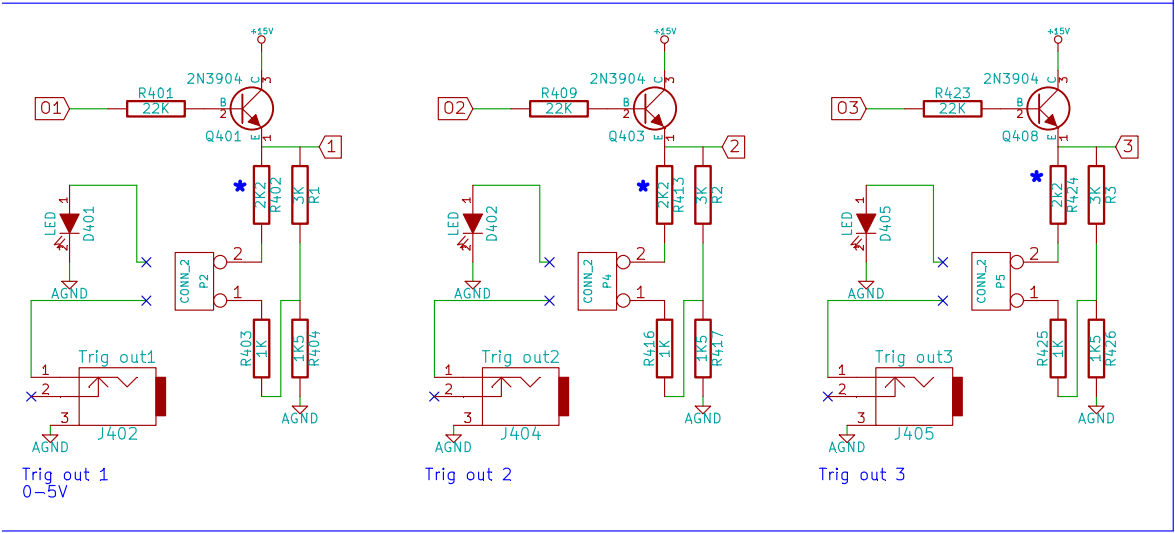
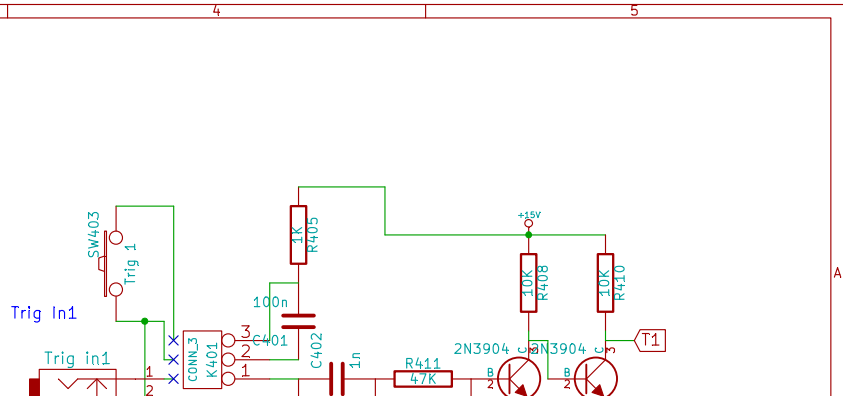
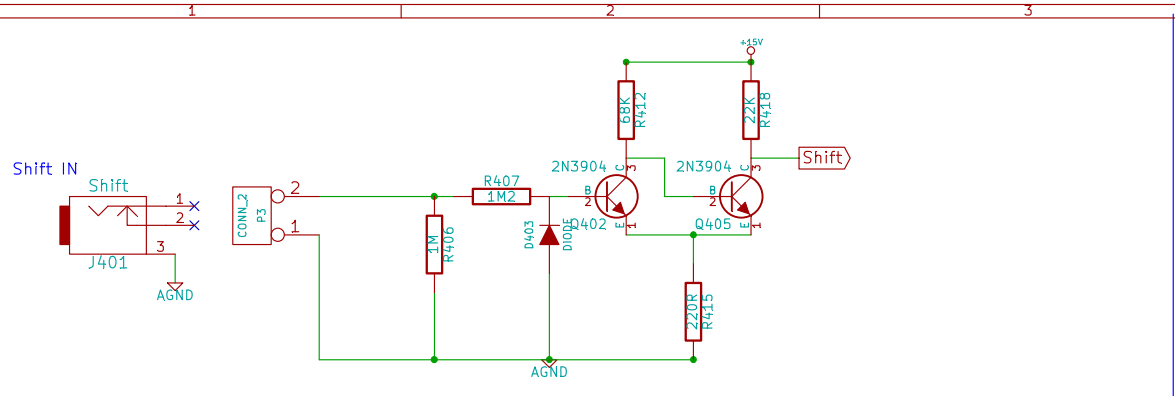


Jumper or Switch :
 1-2 : shift for each clock pulse
 2-3 : Shift every two clock pulses.

SynthR		
File: 962-Shift register.sch		
Sheet: /Shift register/		
Title: 962 MOOG Clone		
Size: A4	Date: 15 mar 2014	Rev: A
KiCad E.D.A. eeschema (2013-07-07 BZR 4022)-stable		Id: 2/4



SynthR		
File: 962-Signal IN OUT.sch		
Sheet: /Signal IN OUT/		
Title: 962 MOOG Clone		
Size: A4	Date: 15 mar 2014	Rev: A
KiCad E.D.A. eschema (2013-07-07 BZR 4022)-stable		Id: 3/4



* This value depends on LED type

SynthR	
File: 962-Shift IN Trig IN OUT.sch	
Sheet: /Shift IN Trig IN OUT/	
Title: 962 MOOG Clone	
Size: A4	Date: 15 mar 2014
KiCad E.D.A. eschema (2013-07-07 BZR 4022)-stable	Rev: A
	Id: 4/4