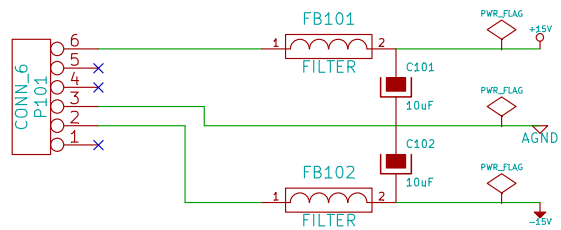


Sheet: VCA1

File: VCA1.sch

Sheet: VCA2

File: VCA2.sch



MFOS Ray Wilson Modified

**SynthR**

File: Dual VCA.sch

Sheet: /

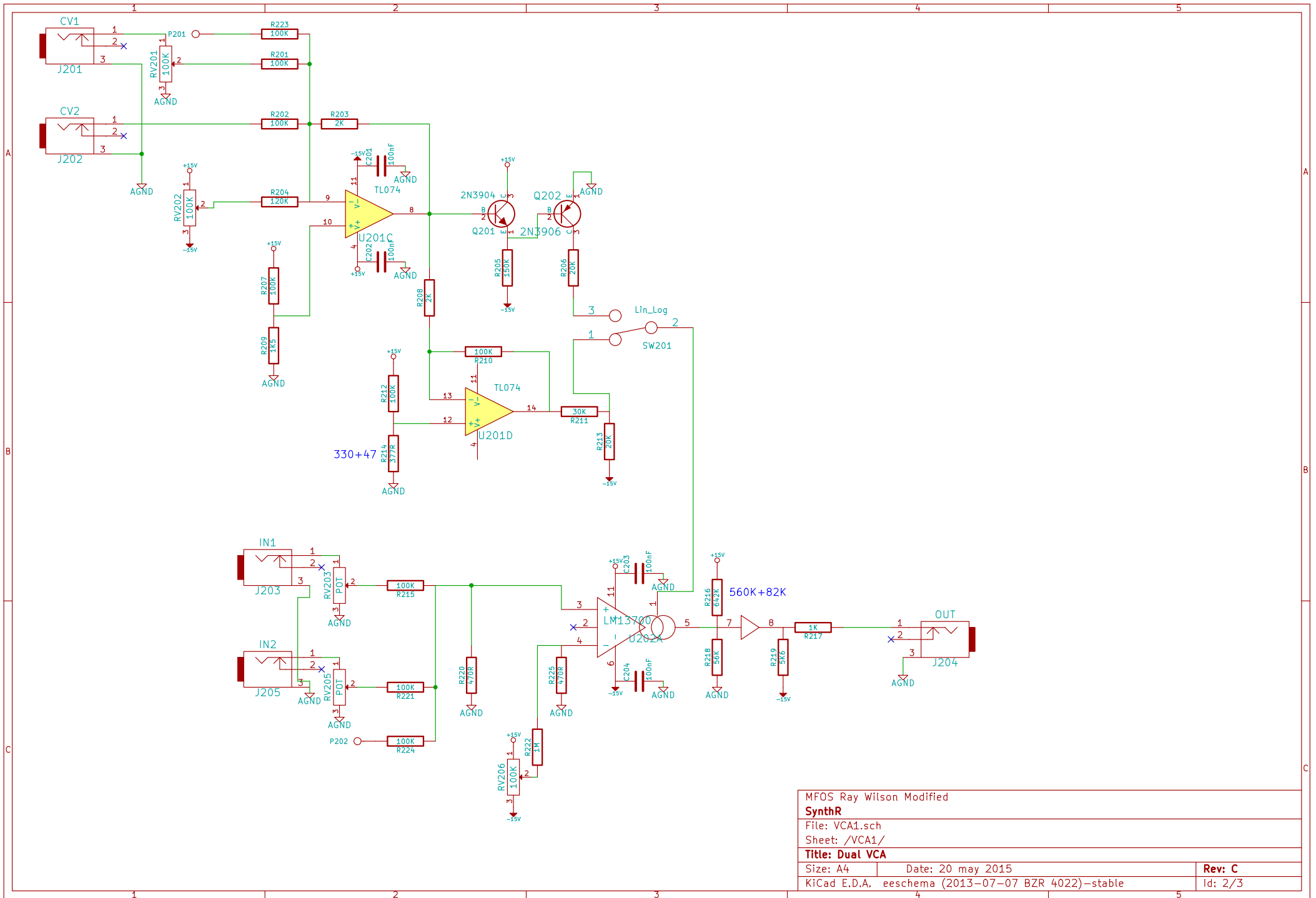
**Title: Dual VCA**

Size: A4 Date: 20 may 2015

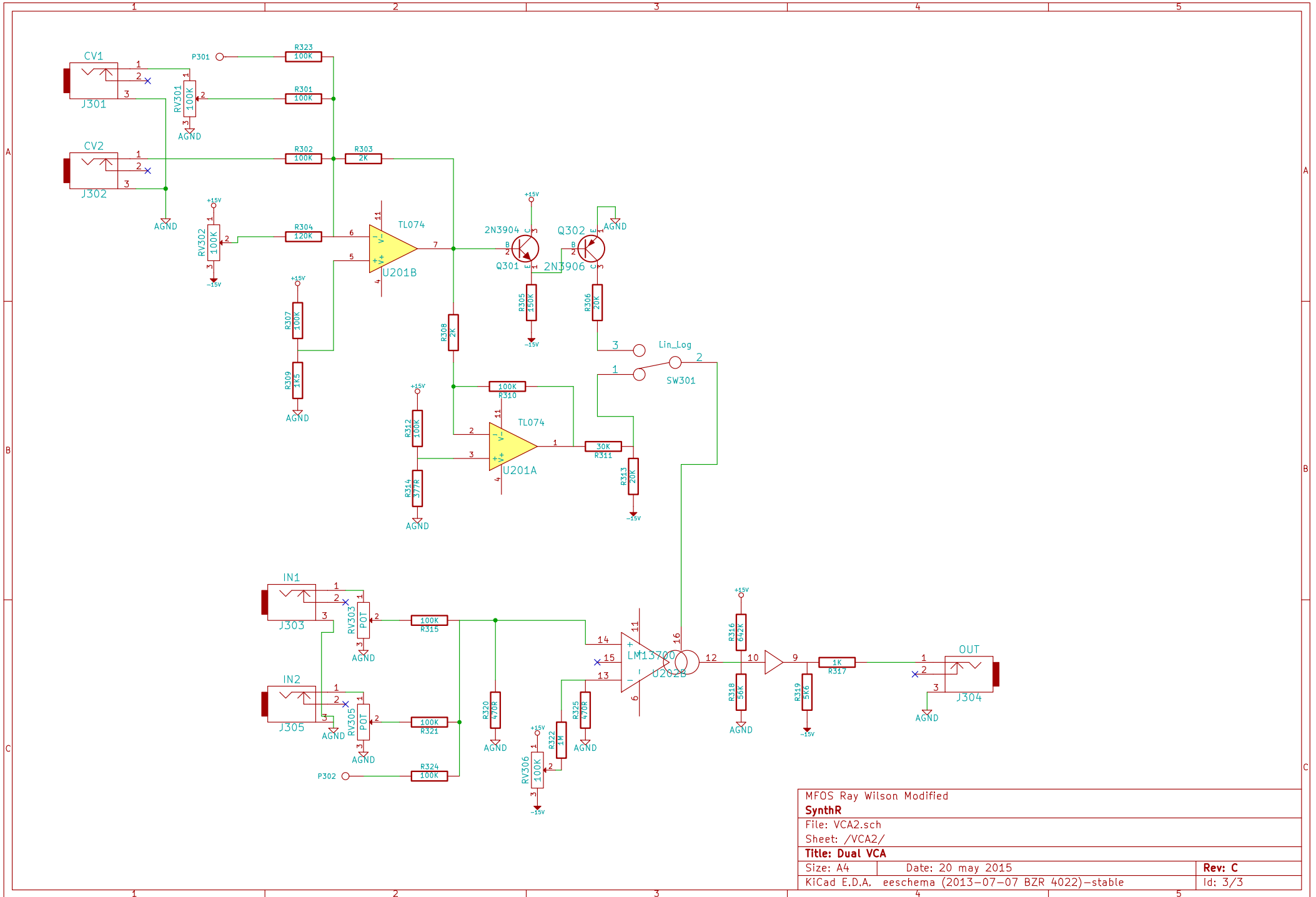
**Rev: C**

KiCad E.D.A. eschema (2013-07-07 BZR 4022)-stable

Id: 1/3



MFOS Ray Wilson Modified		
<b>SynthR</b>		
File: VCA1.sch		
Sheet: /VCA1/		
<b>Title: Dual VCA</b>		
Size: A4	Date: 20 may 2015	<b>Rev: C</b>
KiCad E.D.A. eschema (2013-07-07 BZR 4022)-stable		Id: 2/3



MFOS Ray Wilson Modified		
<b>SynthR</b>		
File: VCA2.sch		
Sheet: /VCA2/		
<b>Title: Dual VCA</b>		
Size: A4	Date: 20 may 2015	<b>Rev: C</b>
KiCad E.D.A. eeschema (2013-07-07 BZR 4022)-stable		Id: 3/3