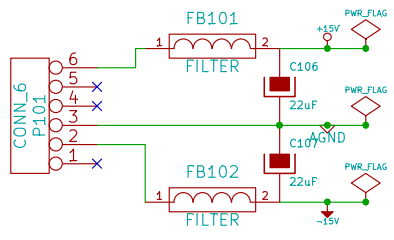
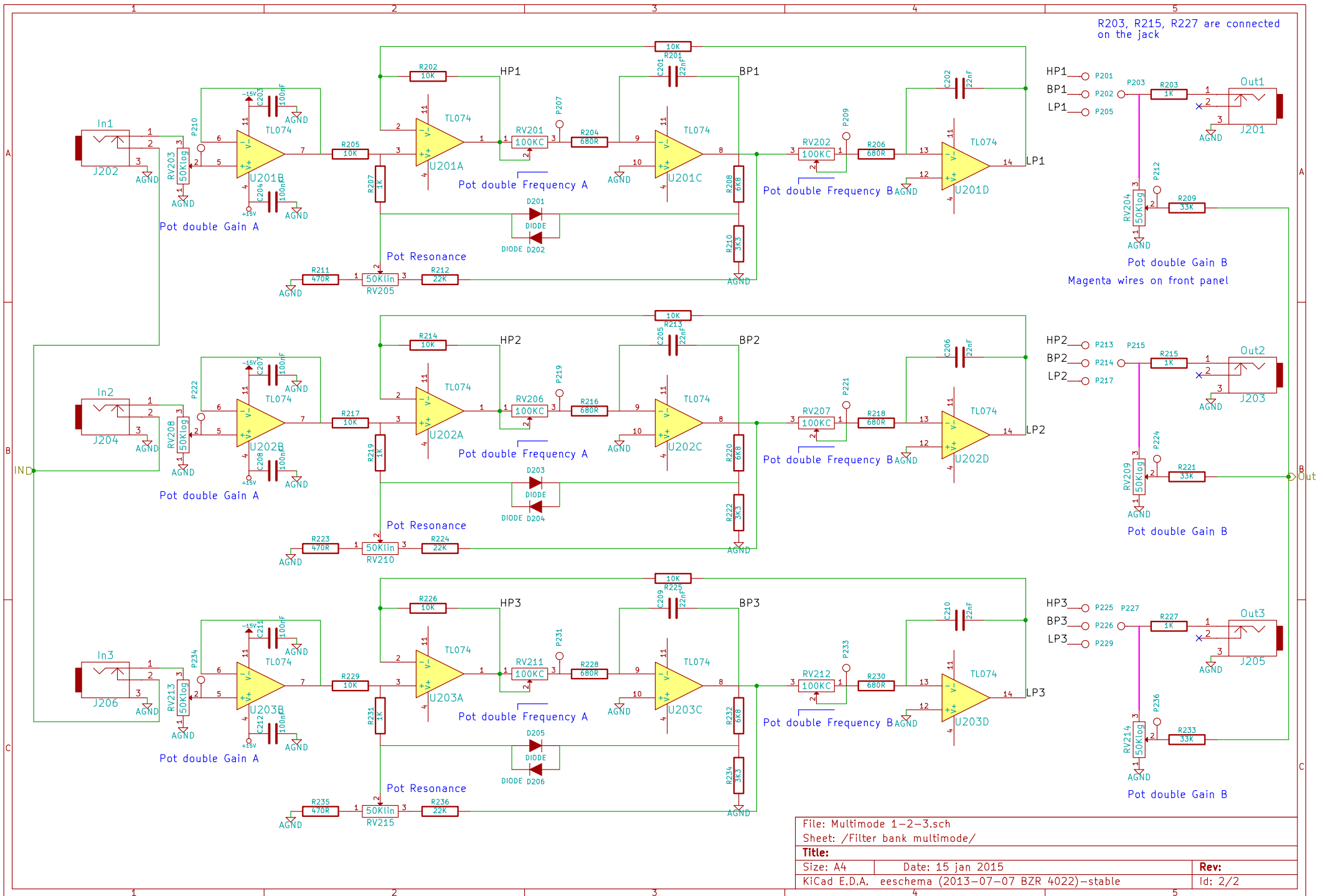


Sheet: Filter bank multimode
File: Multimode 1-2-3.sch



Same as SH5 band pass filter or Ken Stone CGS30		
SynthR		
File: Filter_bank.sch		
Sheet: /		
Title: Filer bank		
Size: A4	Date: 15 jan 2015	Rev: A
KiCad E.D.A. eschema (2013-07-07 BZR 4022)-stable		Id: 1/2



File: Multimode 1-2-3.sch
 Sheet: /Filter bank multimode/
Title:
 Size: A4 Date: 15 jan 2015
 KiCad E.D.A. eschema (2013-07-07 BZR 4022)-stable
Rev:
 Id: 2/2