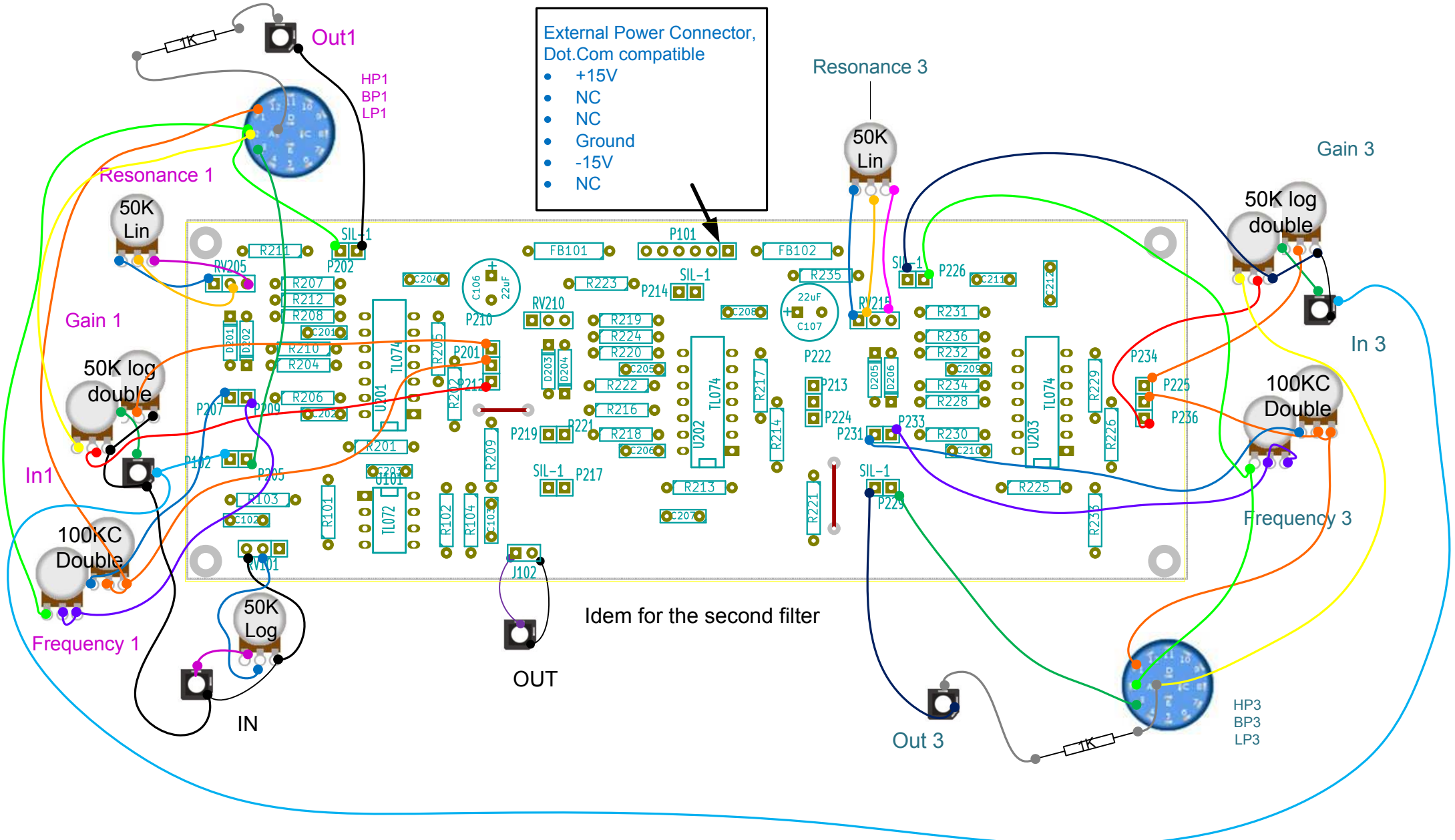


SynthR

Filter- Bank wiring

External Power Connector,
Dot.Com compatible

- +15V
- NC
- NC
- Ground
- -15V
- NC



Out1
HP1
BP1
LP1

Resonance 3
50K Lin

Gain 3

50K log double

In 3

100KC Double

Frequency 3

Idem for the second filter

OUT

Out 3

HP3
BP3
LP3

Gain 1

50K log double

In1

100KC Double

Frequency 1

IN