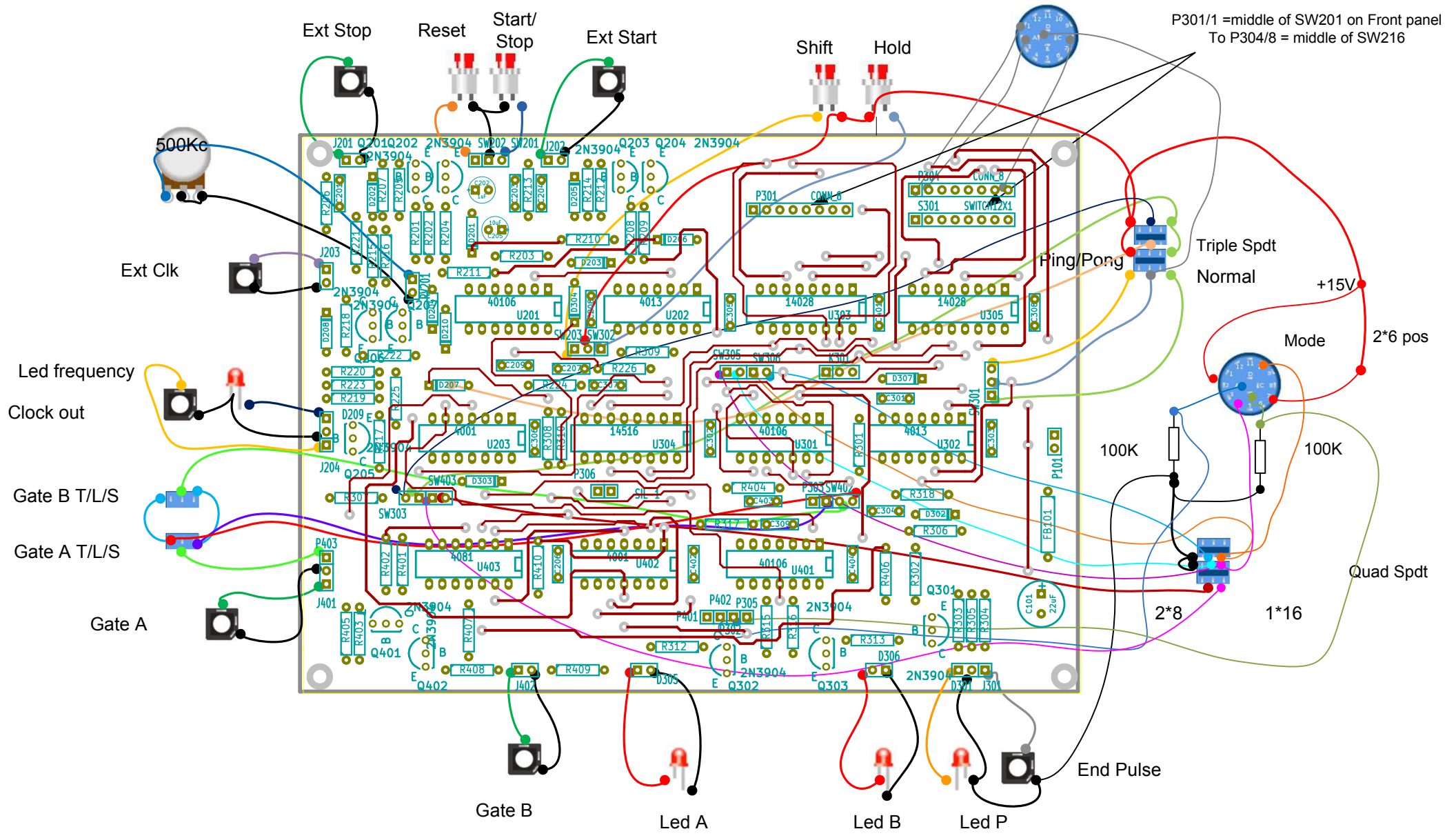


Little SEQ digital Board
connection to Front Panel



P301/1 = middle of SW201 on Front panel
To P304/8 = middle of SW216

Triple Spdt
Normal

Mode 2*6 pos

Quad Spdt