

Trigger conditioner and indicator for WB, LT, HT, and BD

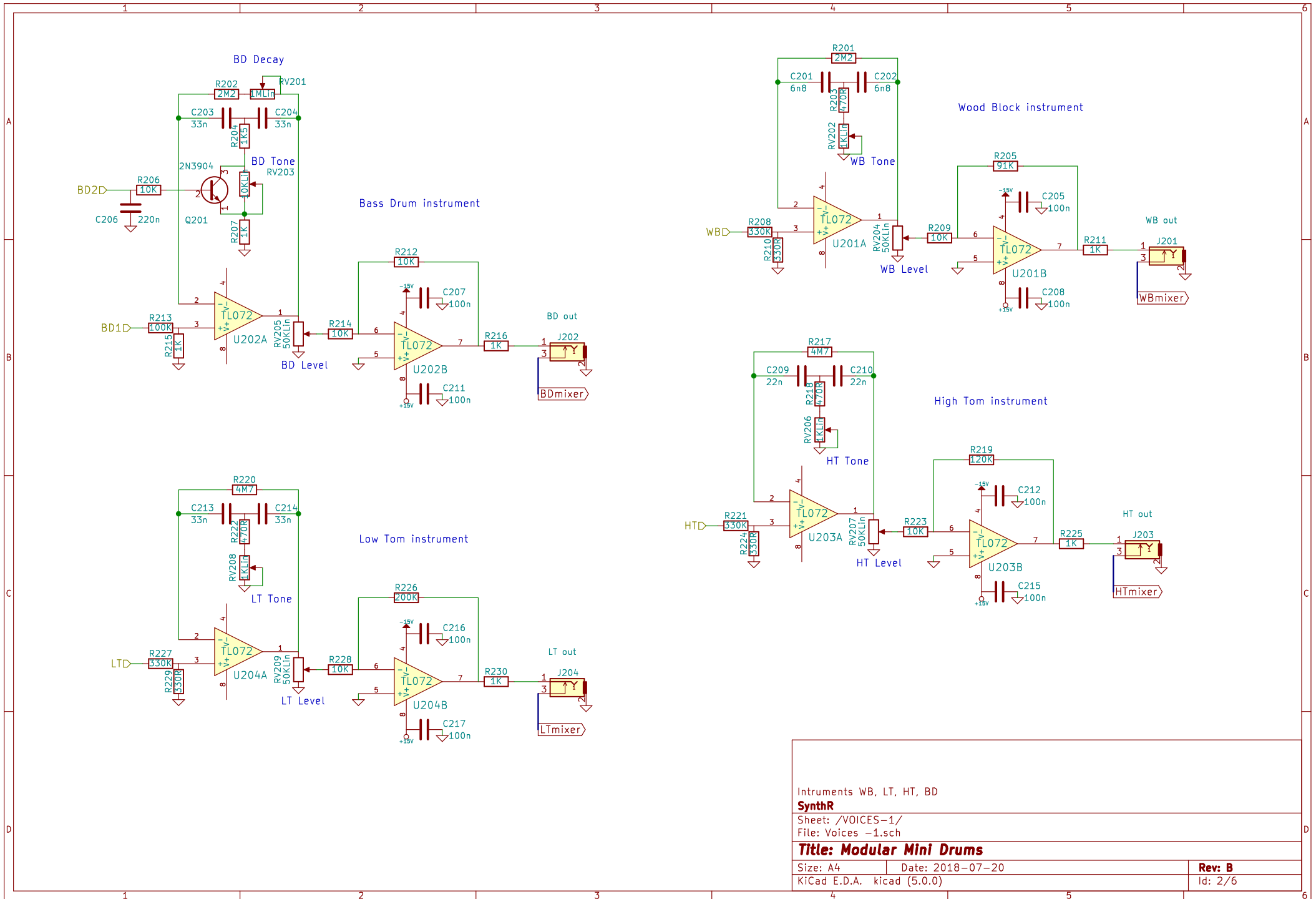
SynthR

Sheet: /
File: Modular Mini Drums.sch

Title: Modular Mini Drums

Size: A4 Date: 2018-07-20
KiCad E.D.A. kicad (5.0.0)

Rev: B
Id: 1/6



Intruments WB, LT, HT, BD

SynthR

Sheet: /VOICES-1/

File: Voices -1.sch

Title: Modular Mini Drums

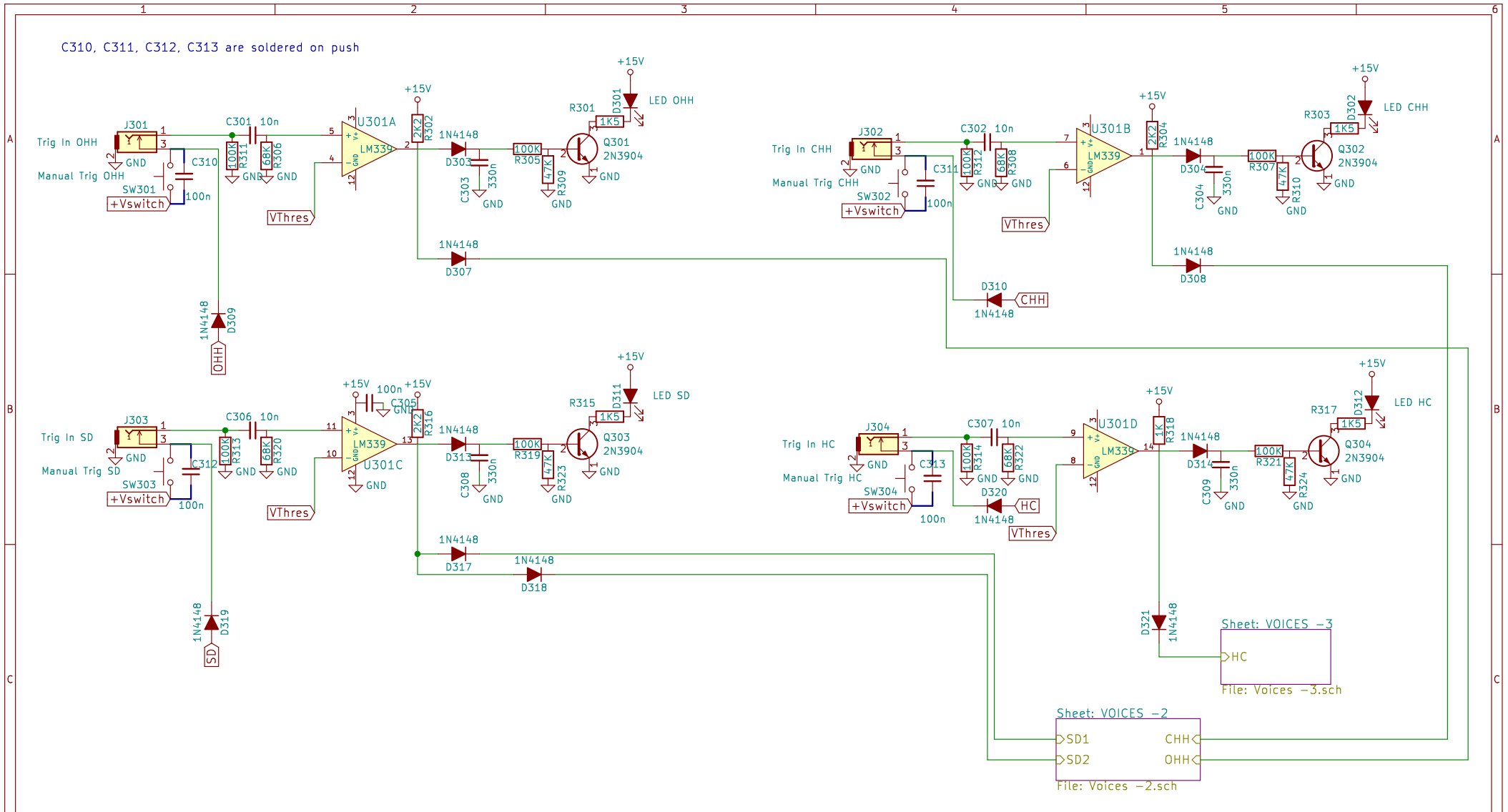
Size: A4 Date: 2018-07-20

KiCad E.D.A. kicad (5.0.0)

Rev: B

Id: 2/6

C310, C311, C312, C313 are soldered on push



Trigger conditioner and indicator for OHH, CHH, SD, HC

SynthR

Sheet: /Trig In -2/

File: Trig In -2.sch

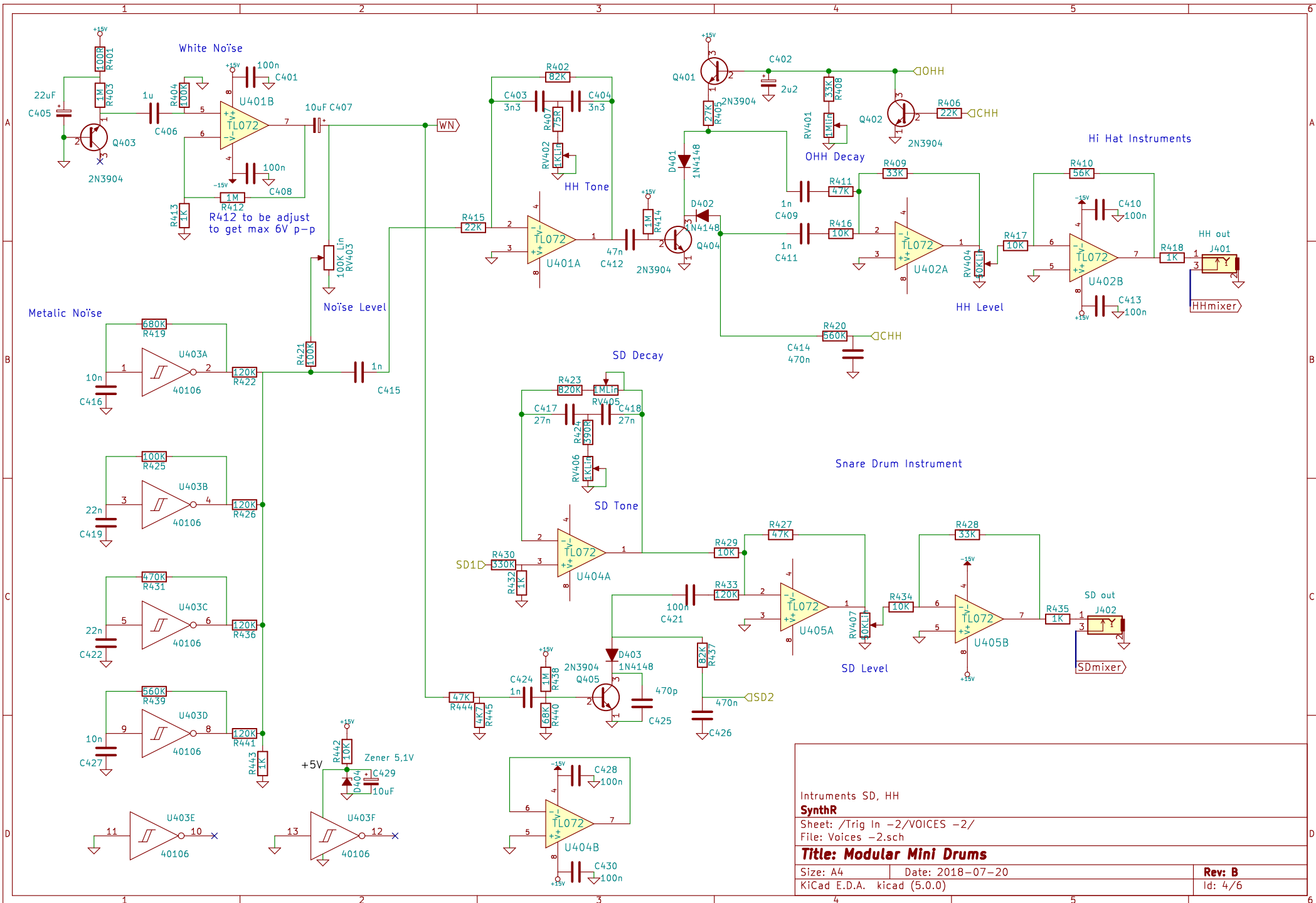
Title: Modular Mini Drums

Size: A4 Date: 2018-07-20

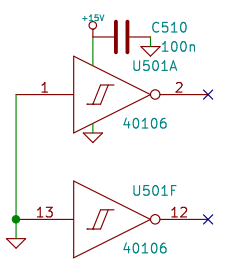
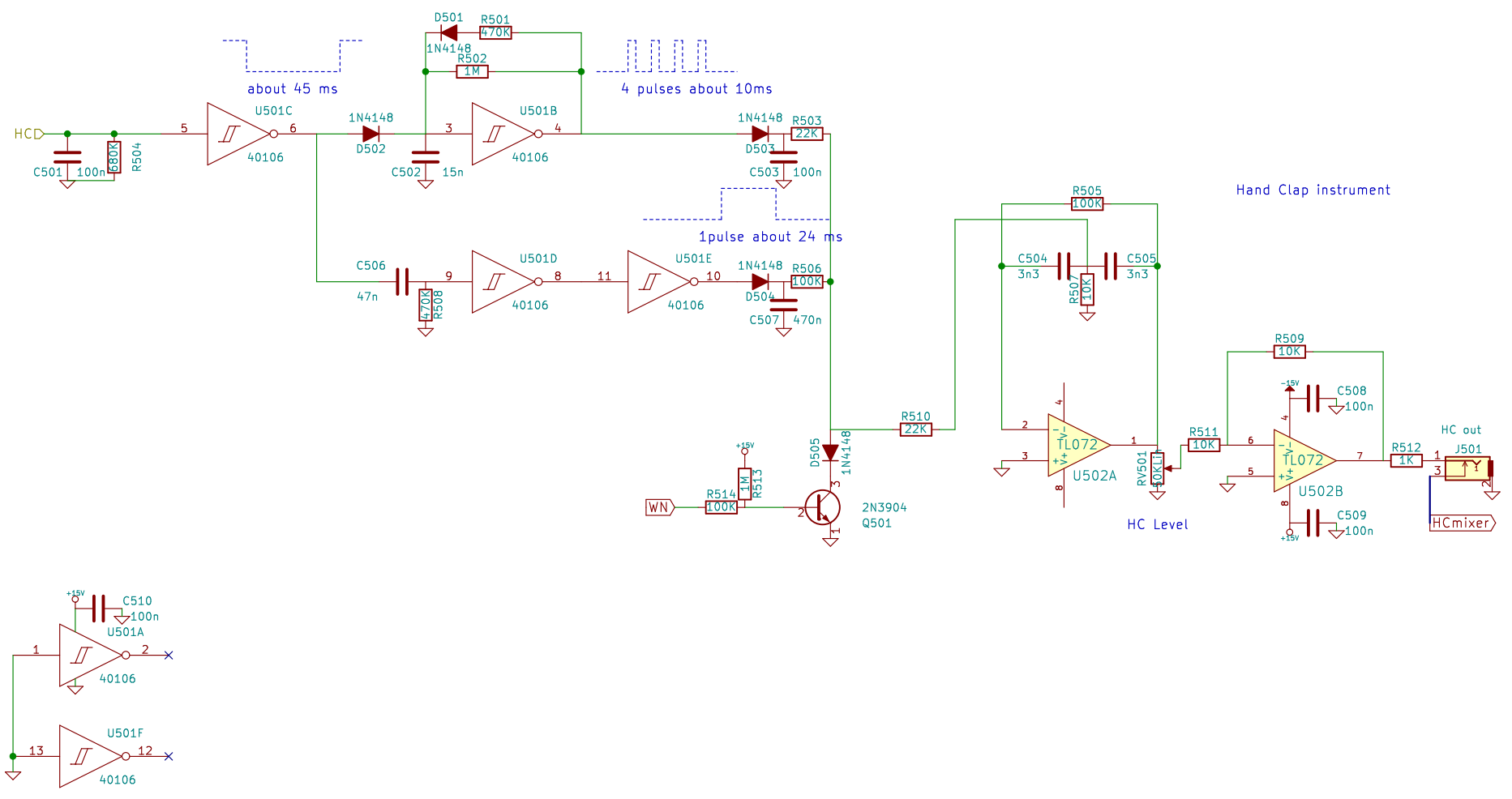
KiCad E.D.A. kicad (5.0.0)

Rev: B

Id: 3/6



Intruments SD, HH	
SynthR	
Sheet: /Trig In -2/VOICES -2/	
File: Voices -2.sch	
Title: Modular Mini Drums	
Size: A4	Date: 2018-07-20
KiCad E.D.A. kicad (5.0.0)	Rev: B
	Id: 4/6



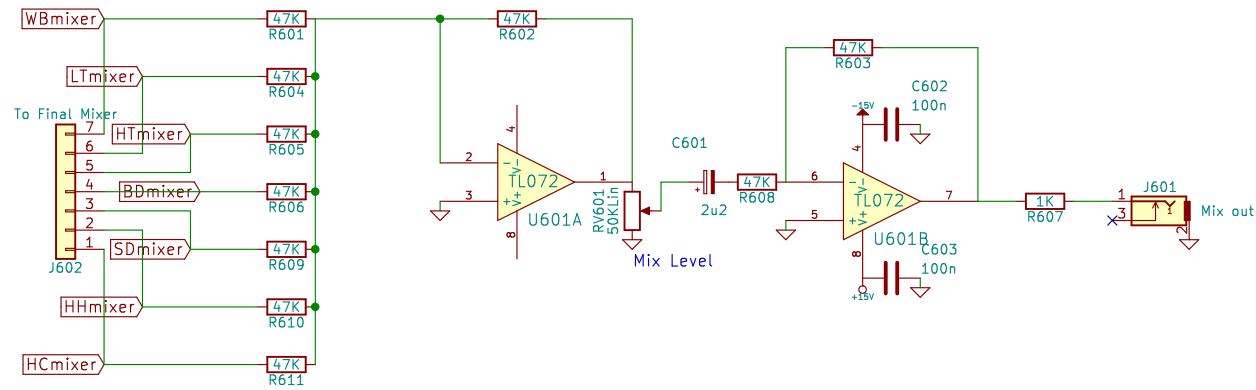
Hand Clap instrument

HC Level

HC out

HCmixer

Instrument Hand Clap		
SynthR		
Sheet: /Trig In -2/VOICES -3/		
File: Voices -3.sch		
Title: Modular Mini Drums		
Size: A4	Date: 2018-07-20	Rev: B
KiCad E.D.A. kicad (5.0.0)		Id: 5/6



SynthR

Sheet: /Final Mixer/
 File: Final Mixer.sch

Title: Modular Mini Drums

Size: A4 Date: 2018-07-20
 KiCad E.D.A. kicad (5.0.0)

Rev: B
 Id: 6/6