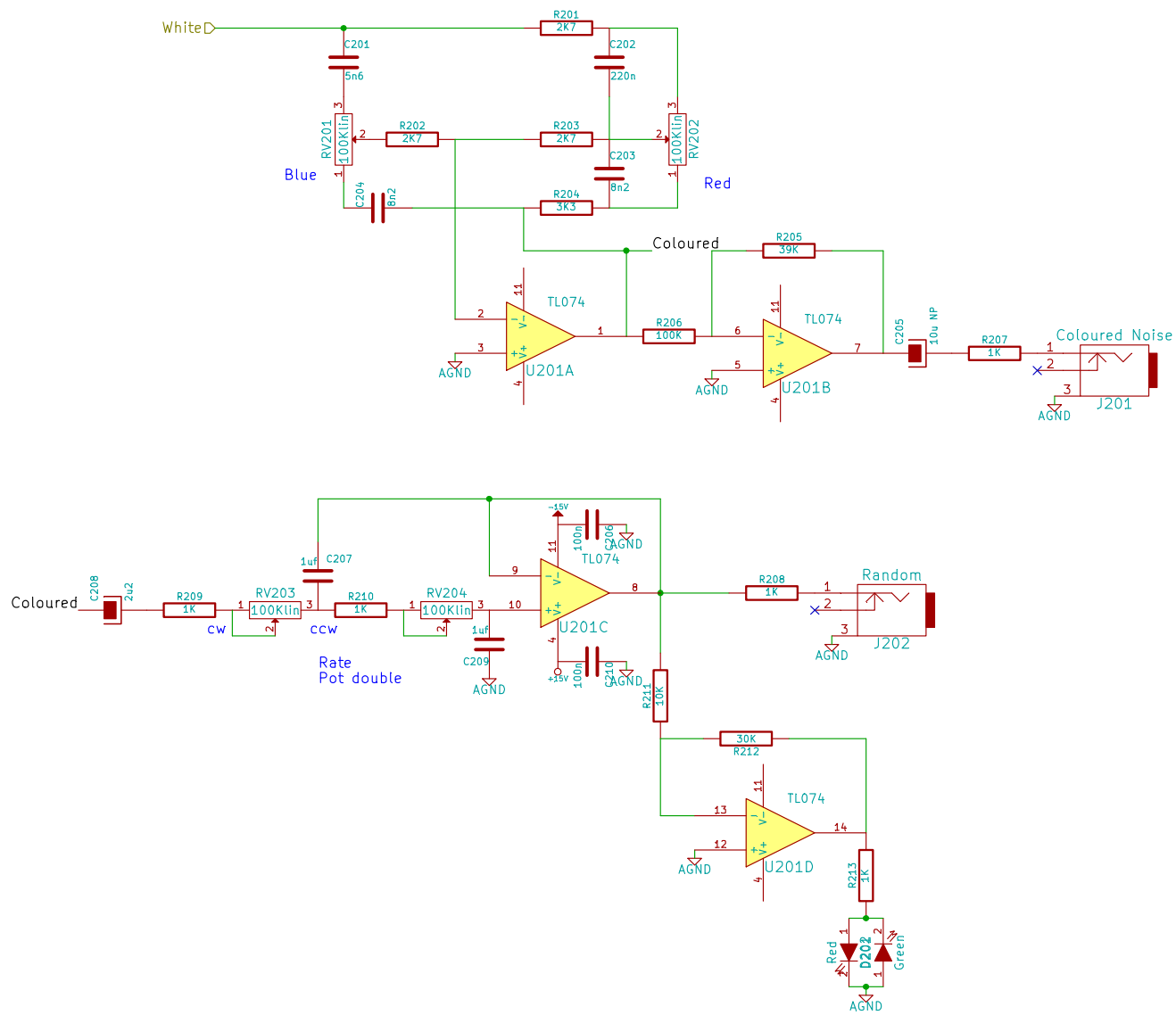


Sheet: coloured & random  
 White  
 File: coloured & random.sch

<b>SynthR</b>		
File: Noise.sch		
Sheet: /		
<b>Title: Noise</b>		
Size: A4	Date: 16 aug 2015	<b>Rev: A</b>
KiCad E.D.A. eeschema (2013-07-07 BZR 4022)-stable		Id: 1/2



File: coloured & random.sch

Sheet: /coloured & random/

**Title:**

Size: A4 Date: 16 aug 2015

**Rev:**

KiCad E.D.A. eschema (2013-07-07 BZR 4022)-stable

Id: 2/2