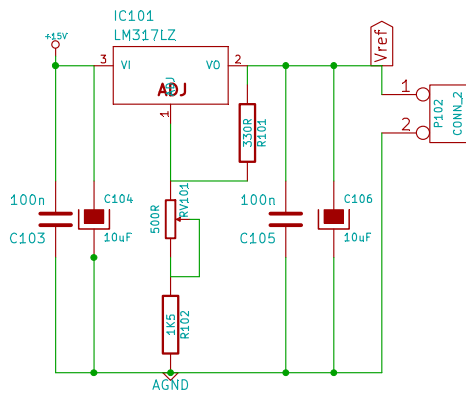
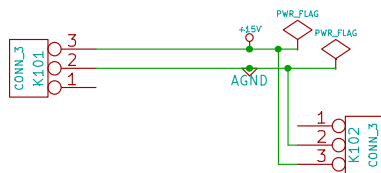


From Shift Register

Sheet: Output Row

File: Output Row.sch

+15V  
Ground



Adjust to 8.00V

**SynthR**

File: 960 Row Board.sch

Sheet: /

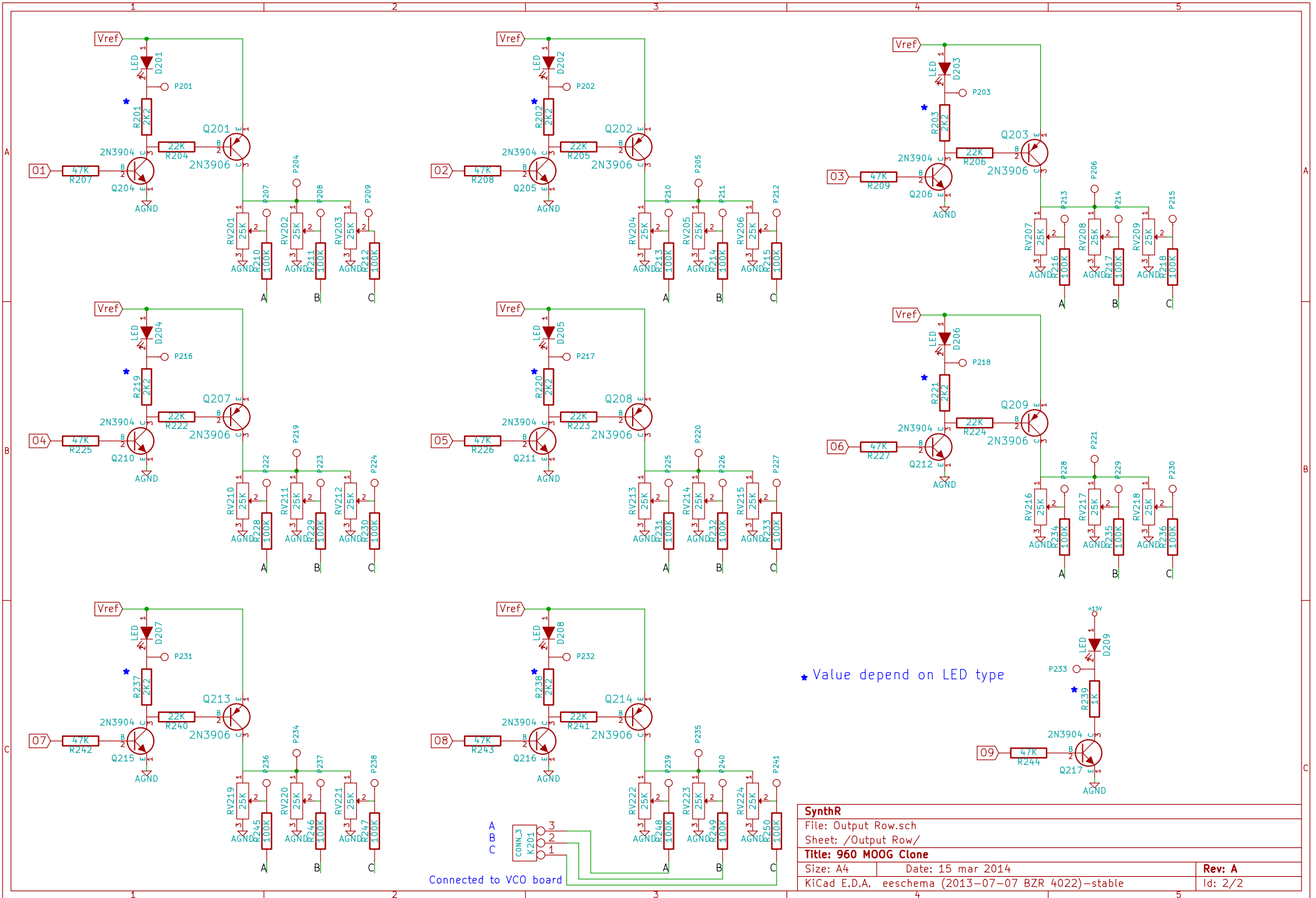
**Title: 960 MOOG Clone**

Size: A4 Date: 15 mar 2014

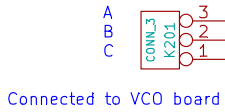
KiCad E.D.A. eeschema (2013-07-07 BZR 4022)-stable

**Rev: A**

Id: 1/2



\* Value depend on LED type



<b>SynthR</b>		
File: Output Row.sch		
Sheet: /Output Row/		
<b>Title: 960 MOOG Clone</b>		
Size: A4	Date: 15 mar 2014	
KiCad E.D.A. eschema (2013-07-07 BZR 4022)-stable		Rev: A
		Id: 2/2