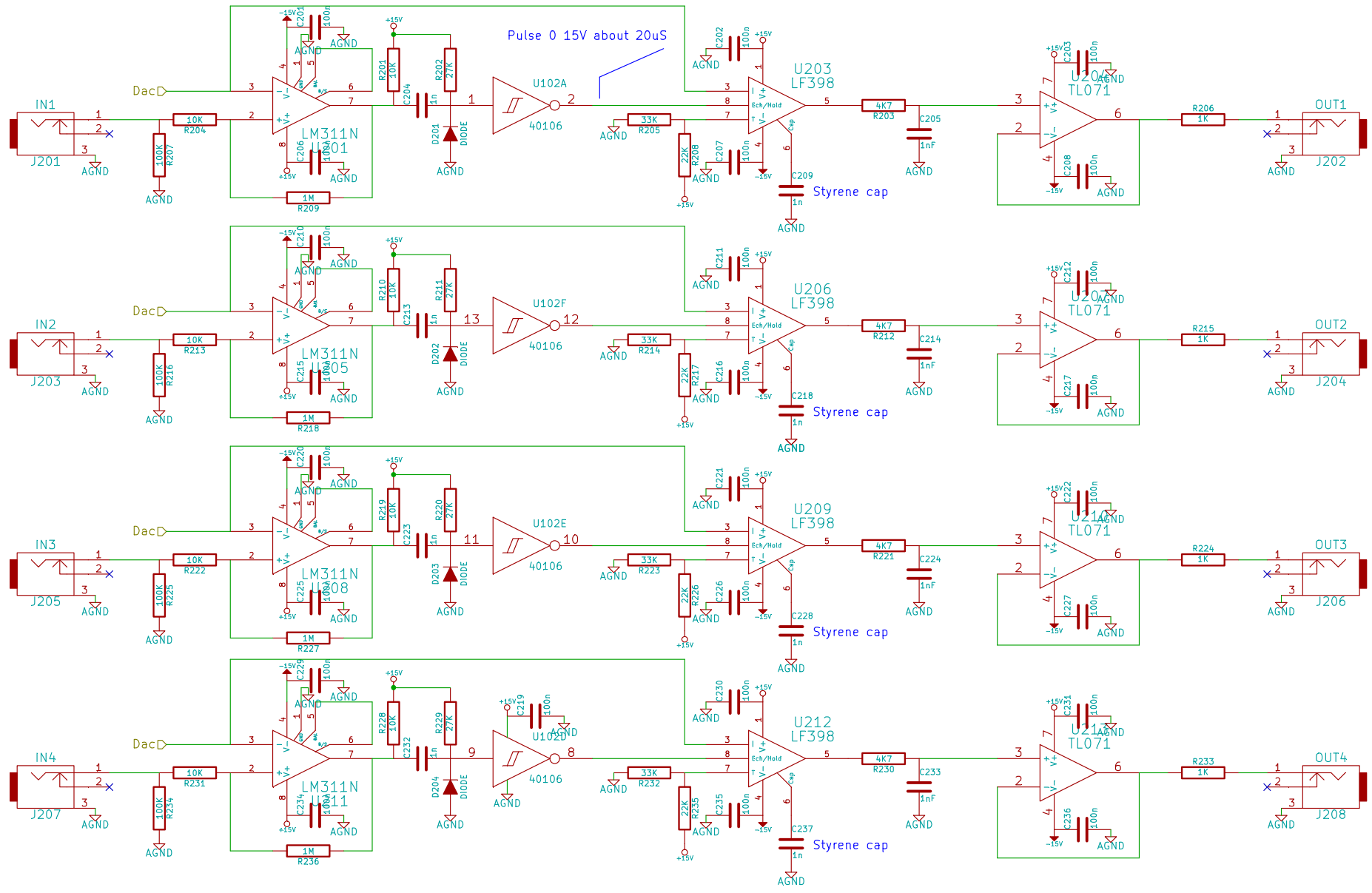


| | | |
|---|-------------------|---------|
| SynthR | | |
| File: Quad Quantizer.sch | | |
| Sheet: / | | |
| Title: Ramp generator | | |
| Size: A4 | Date: 18 jan 2016 | Rev: B |
| KiCad E.D.A. eschema (2013-07-07 BZR 4022)-stable | | Id: 1/2 |



Pulse 0 15V about 20uS

| | |
|--|-------------------|
| SynthR | |
| File: Sample & Hold.sch | |
| Sheet: /Quantizer voice/ | |
| Title: Quantizer voice | |
| Size: A4 | Date: 18 jan 2016 |
| KiCad E.D.A. eeschema (2013-07-07 BZR 4022)-stable | Rev: B |
| | Id: 2/2 |

If less than 4 voices are needed don't forget to ground the unused 40106 inputs