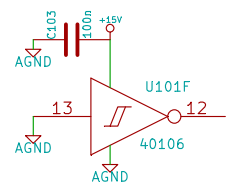


Sheet: Shift Register 1 to 4

File: Shift Register 1 to 4.sch

Sheet: Shift Register 5 to 9

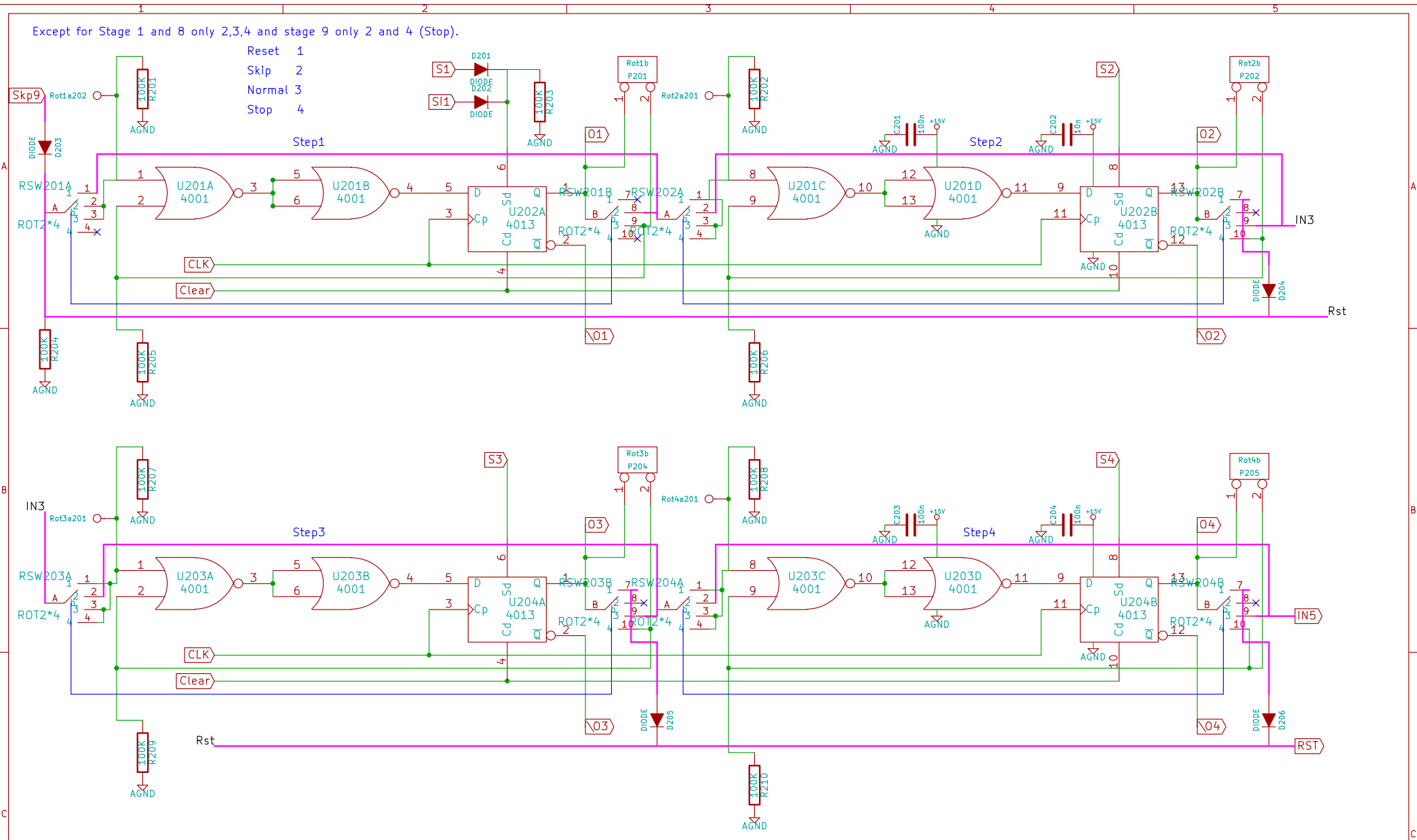
File: Shift Register 5 to 9.sch



SynthR		
File: 960 Shift register.sch		
Sheet: /		
Title: 960 MOOG Clone		
Size: A4	Date: 16 mar 2014	Rev: A
KiCad E.D.A. eschema (2013-07-07 BZR 4022)-stable		Id: 1/3

Except for Stage 1 and 8 only 2,3,4 and stage 9 only 2 and 4 (Stop).

- Reset 1
- Skip 2
- Normal 3
- Stop 4



* Track in Magenta color are external wiring including D203, R204, D204, D205, D206, D301, D302, D303, soldered on wire. Don't forget Ground connection on R204.

SynthR

File: Shift Register 1 to 4.sch

Sheet: /Shift Register 1 to 4/

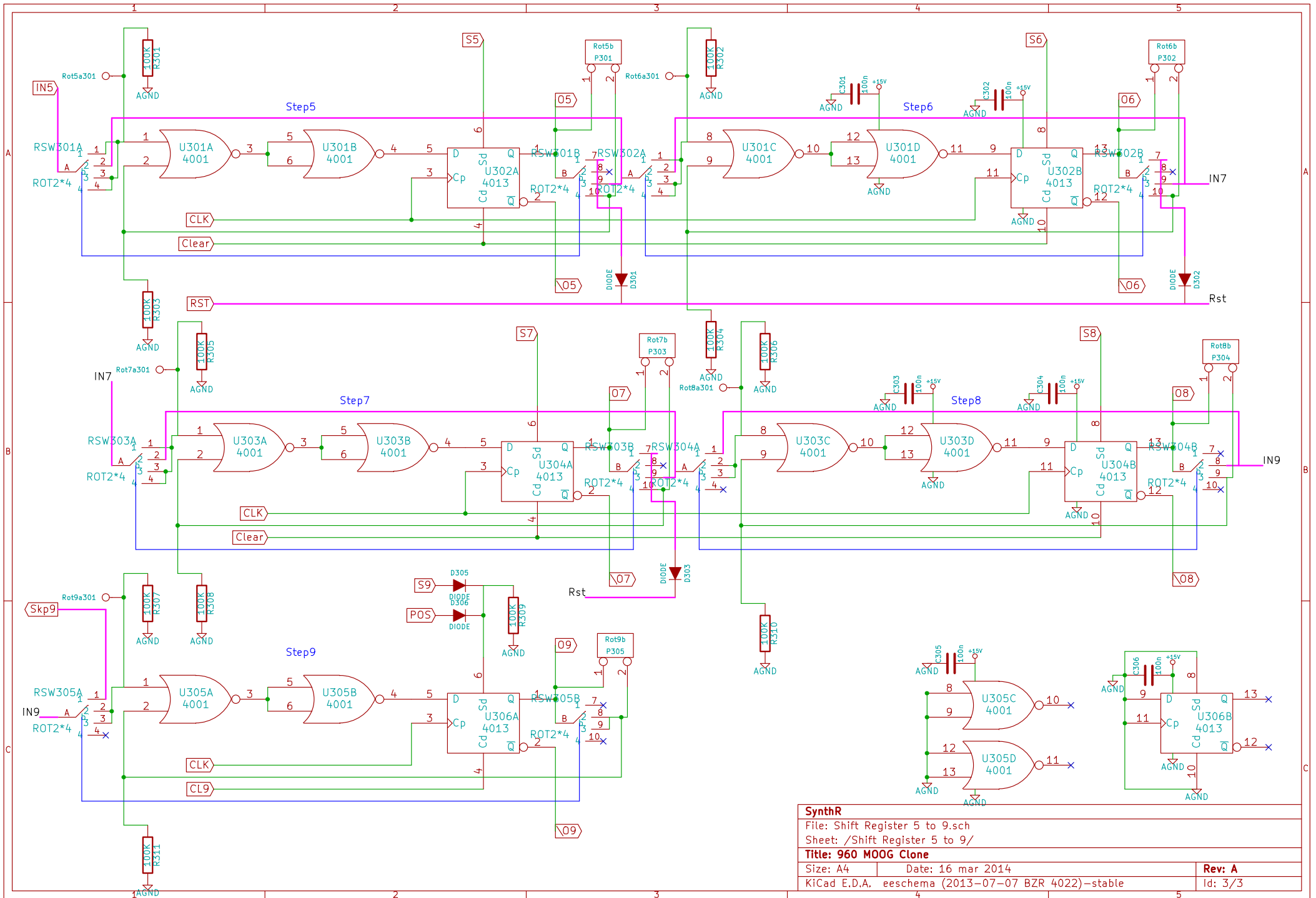
Title: 960 MOOG Clone

Size: A4 Date: 16 mar 2014

KiCad E.D.A. eschema (2013-07-07 BZR 4022)-stable

Rev: A

Id: 2/3



SynthR	
File: Shift Register 5 to 9.sch	
Sheet: /Shift Register 5 to 9/	
Title: 960 MOOG Clone	
Size: A4	Date: 16 mar 2014
KiCad E.D.A. eschema (2013-07-07 BZR 4022)-stable	
Rev: A	
Id: 3/3	