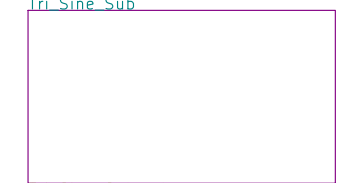


Square Fifth Sub



Square_Fifth_Sub.sch

Tri Sine Sub



Tri_Sine_Sub.sch

From Mini / Microbrute concept

SynthR

Sheet: /

File: VCO-Extra Companion.sch

Title: VCO-Extra Companion

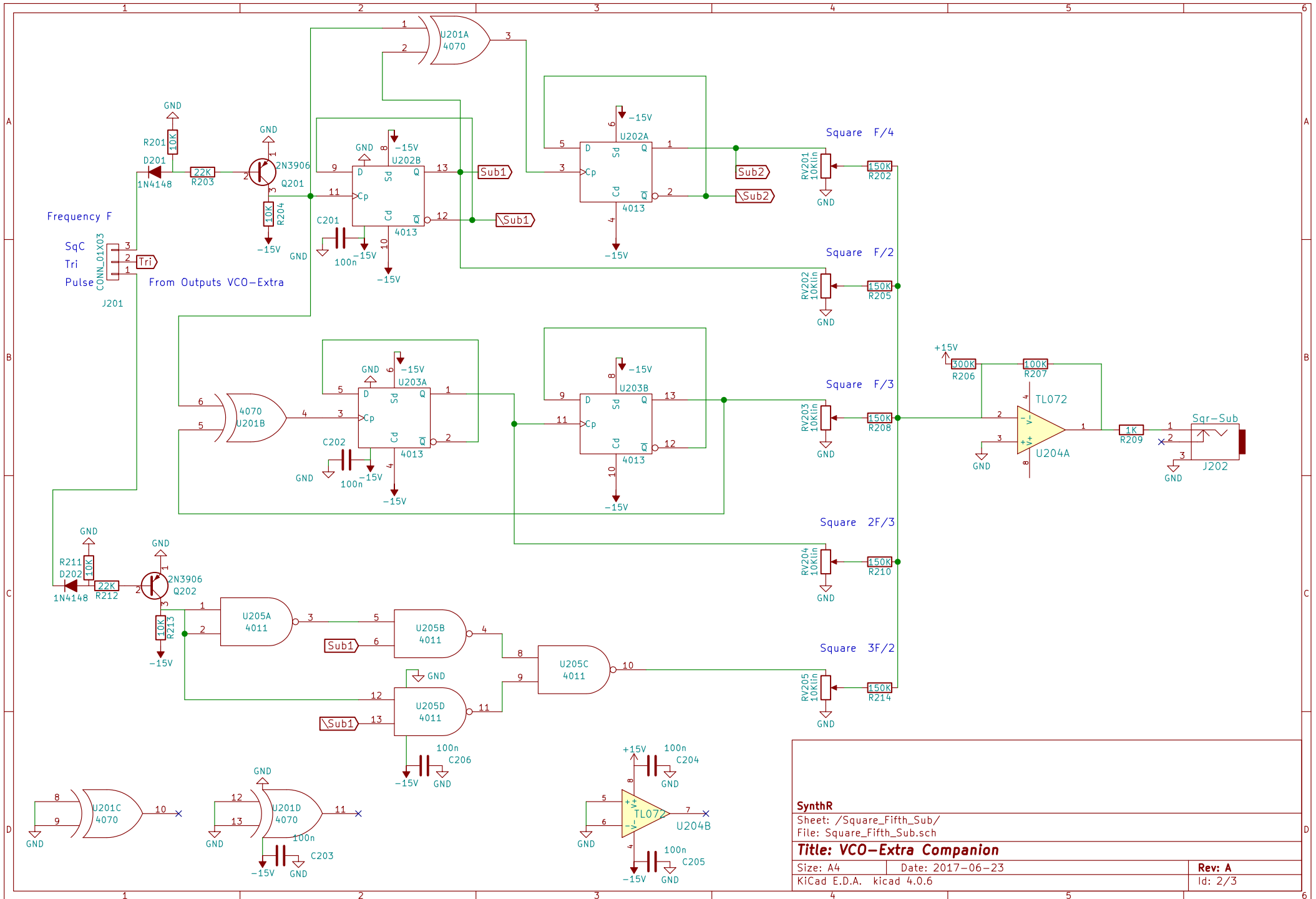
Size: A4

Date: 2017-06-23

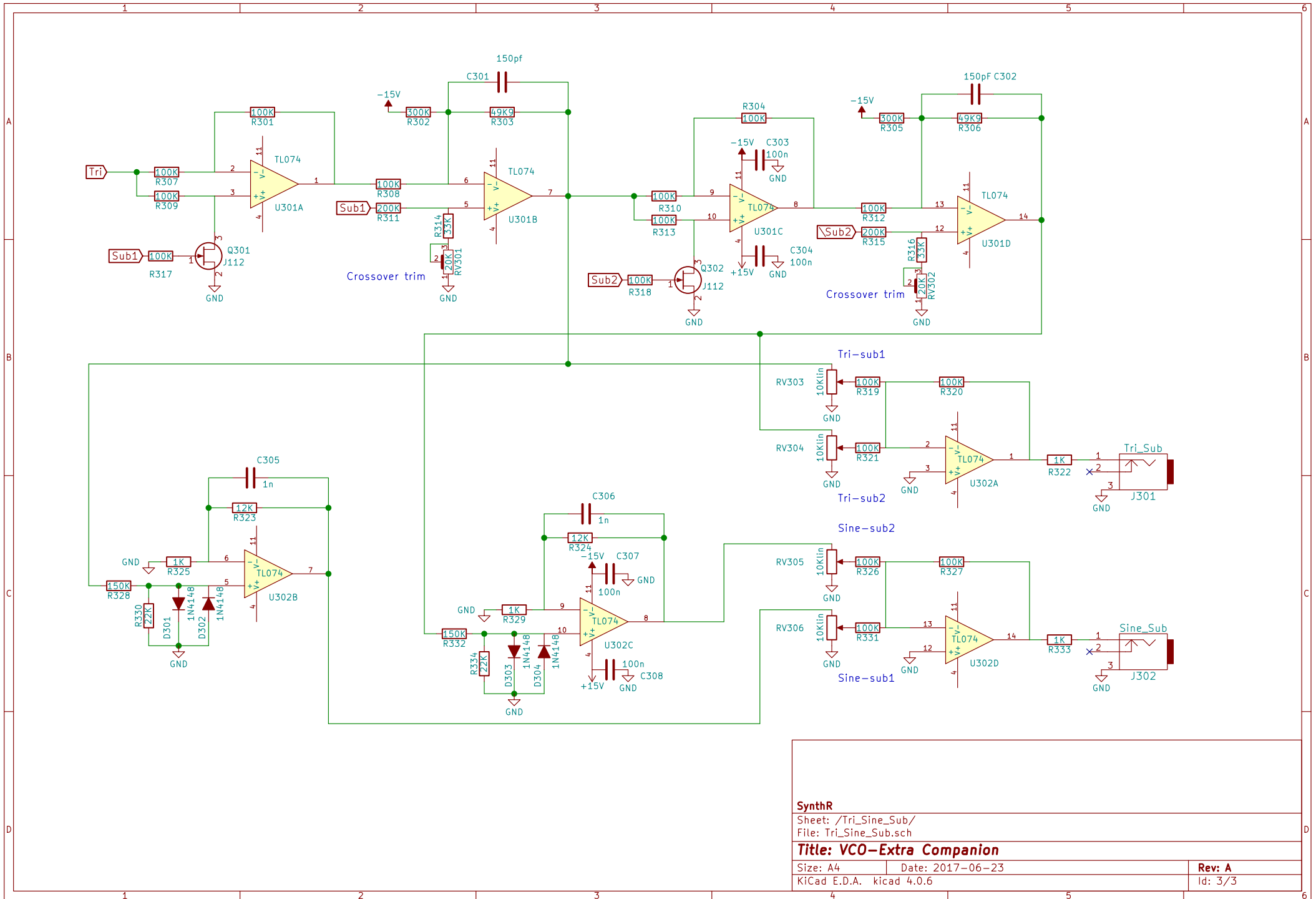
Rev: A

KiCad E.D.A. kicad 4.0.6

Id: 1/3



SynthR	
Sheet: /Square_Fifth_Sub/	
File: Square_Fifth_Sub.sch	
Title: VCO-Extra Companion	
Size: A4	Date: 2017-06-23
KiCad E.D.A. kicad 4.0.6	Rev: A
	Id: 2/3



SynthR

Sheet: /Tri_Sine_Sub/
File: Tri_Sine_Sub.sch

Title: VCO-Extra Companion

Size: A4 Date: 2017-06-23
KiCad E.D.A. kicad 4.0.6

Rev: A
Id: 3/3