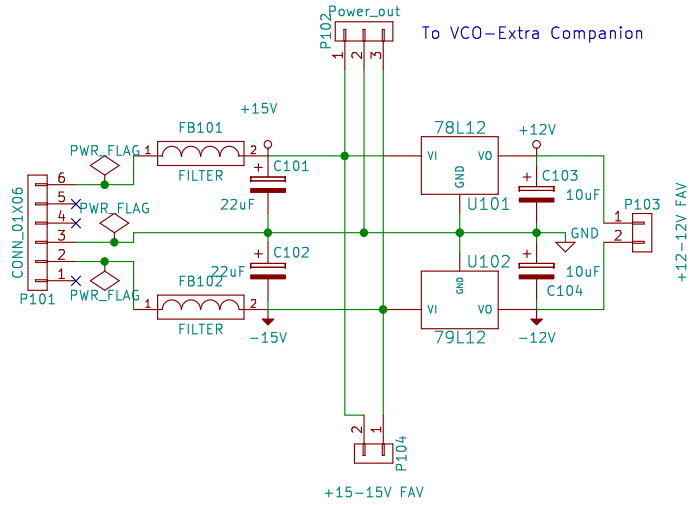


Sheet: VCO-CORE

File: VCO-Core.sch

Sheet: VCO-Waveshaping

File: VCO-Waveshaping.sch



From Electronotes ENS-76 VCO option 2 and Thomas Henry

SynthR

Sheet: /

File: VCO-Extra_B.sch

Title: VCO-Extra

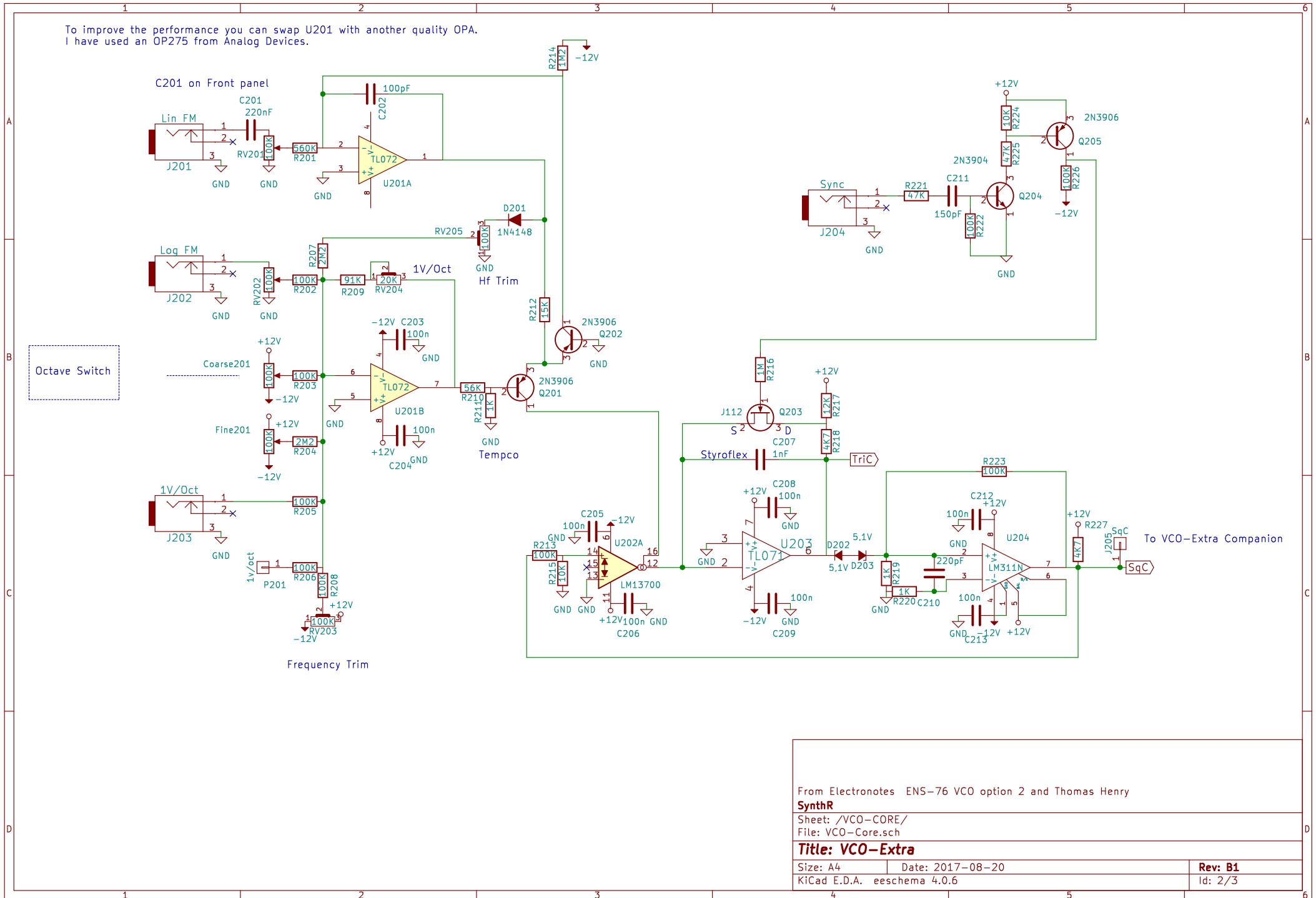
Size: A4 Date: 2017-08-20

KiCad E.D.A. eeschema 4.0.6

Rev: B1

Id: 1/3

To improve the performance you can swap U201 with another quality OPA.
I have used an OP275 from Analog Devices.



From Electronotes ENS-76 VCO option 2 and Thomas Henry

SynthR

Sheet: /VCO-CORE/

File: VCO-Core.sch

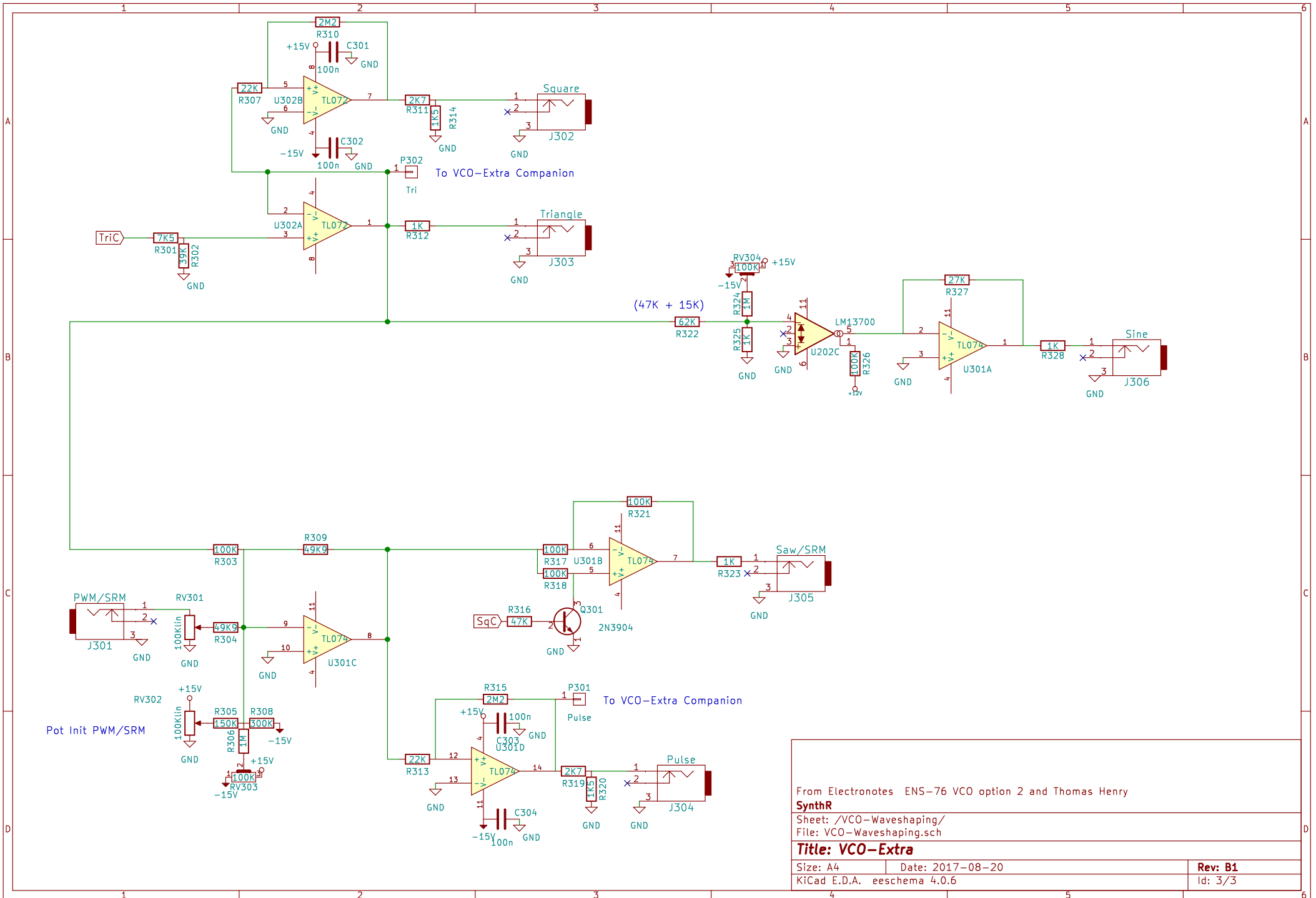
Title: VCO-Extra

Size: A4 Date: 2017-08-20

KiCad E.D.A. eeschema 4.0.6

Rev: B1

Id: 2/3



From Electronotes ENS-76 VCO option 2 and Thomas Henry

SynthR

Sheet: /VCO-Waveshaping/
 File: VCO-Waveshaping.sch

Title: VCO-Extra

Size: A4 Date: 2017-08-20
 KiCad E.D.A. eeschema 4.0.6

Rev: B1
 Id: 3/3