

Sheet: Osc. Control

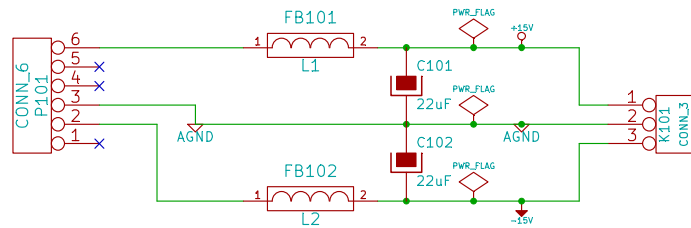
File: Osc. Control.sch

Sheet: VCO

File: VCO.sch

Sheet: Row Output

File: Row ouput.sch



SynthR

File: 960 VCO board.sch

Sheet: /

Title: 960 MOOG Clone

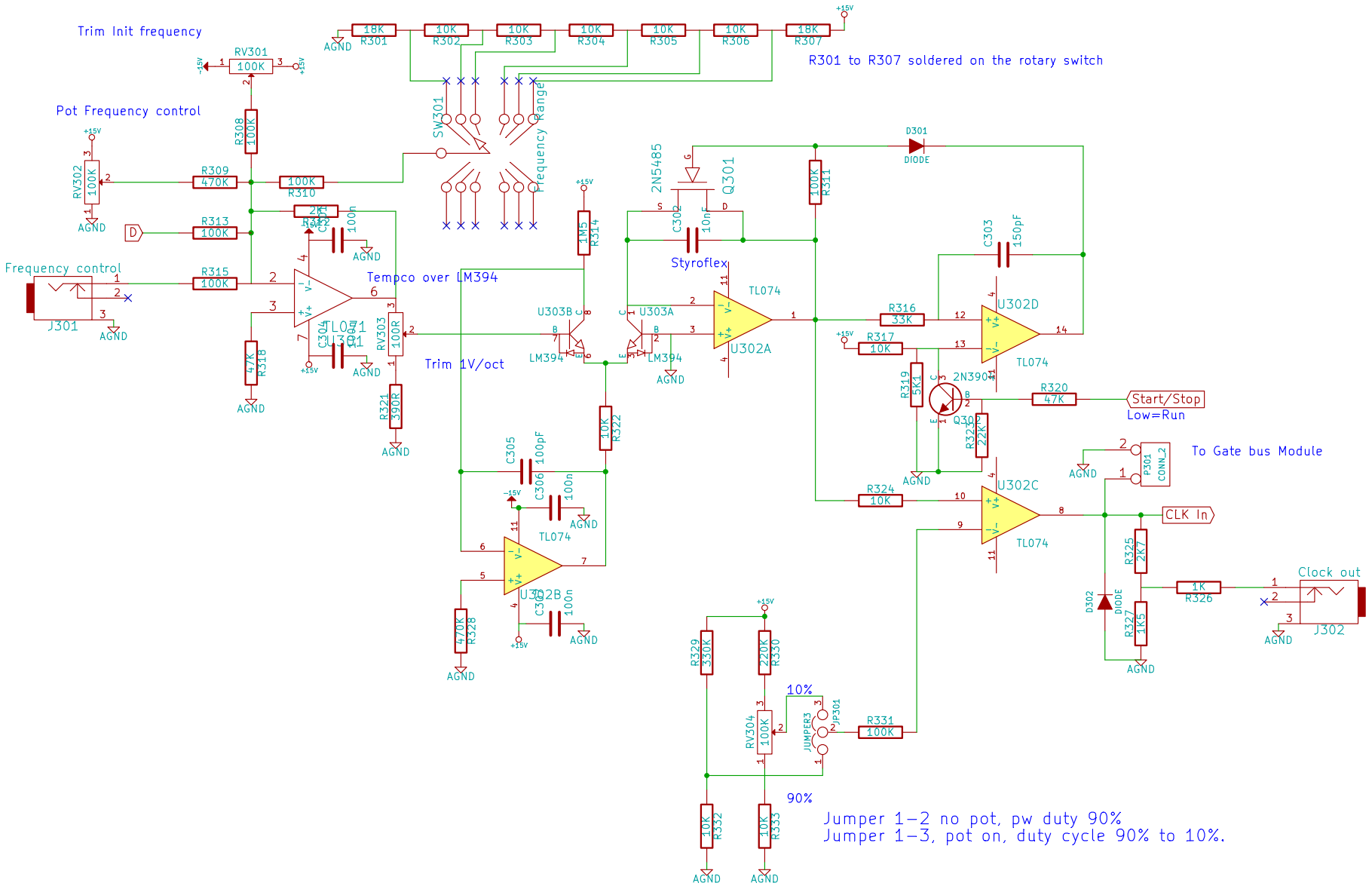
Size: A4 Date: 3 apr 2014

Rev: A

KiCad E.D.A. eschema (2013-07-07 BZR 4022)-stable

Id: 1/4

Switch Frequency range 1 to 6



Trim Init frequency

Pot Frequency control

Frequency control

Tempco over LM394

Trim 1V/oct

Styroflex

Start/Stop
Low=Run

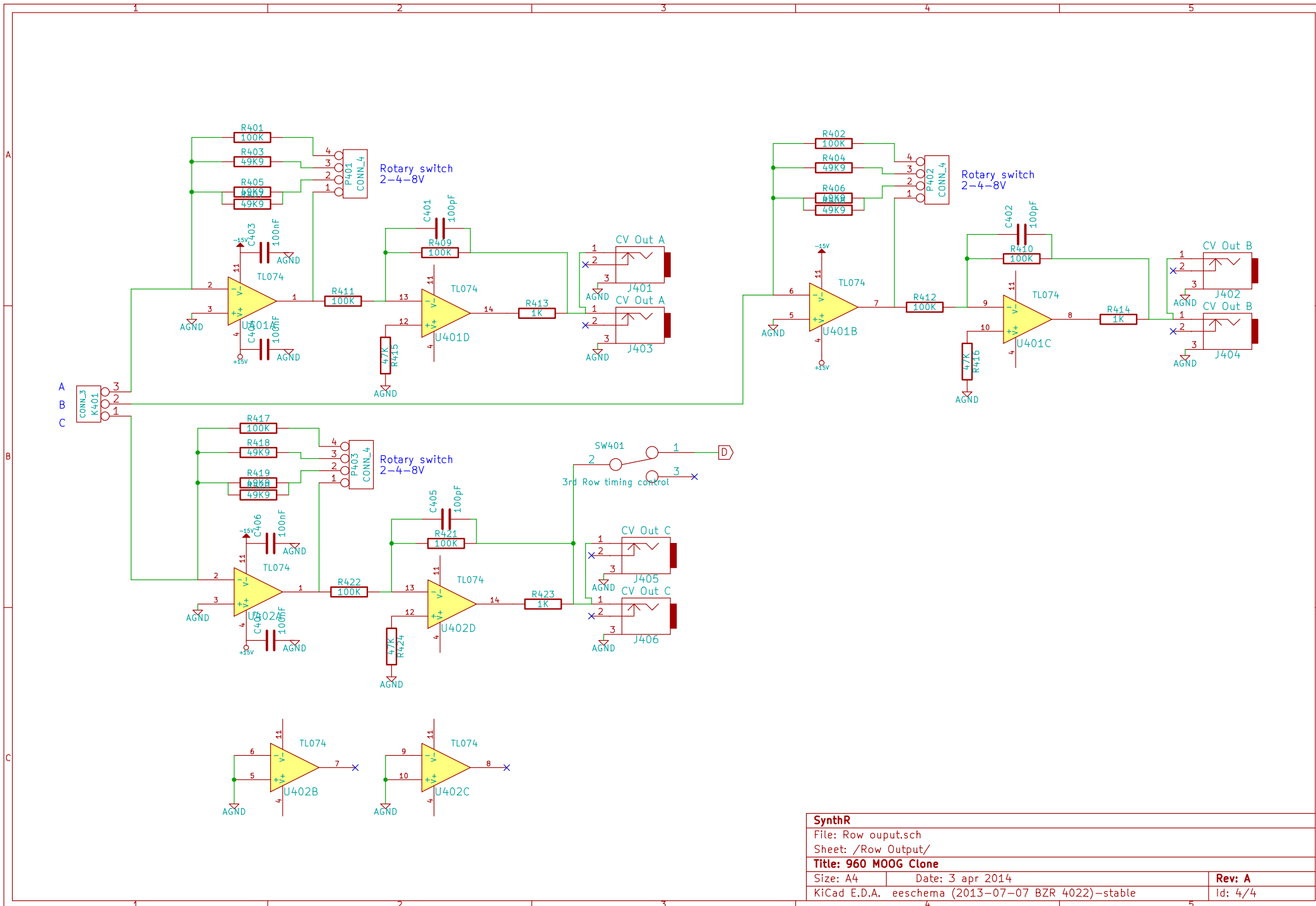
To Gate bus Module

Clock out

Jumper 1-2 no pot, pw duty 90%
Jumper 1-3, pot on, duty cycle 90% to 10%.

R301 to R307 soldered on the rotary switch

SynthR	
File: VCO.sch	
Sheet: /VCO/	
Title: 960 MOOG Clone	
Size: A4	Date: 3 apr 2014
KiCad E.D.A. eschema (2013-07-07 BZR 4022)-stable	
Rev: A	
Id: 3/4	



SynthR		
File: Row output.sch		
Sheet: /Row Output/		
Title: 960 MOOG Clone		
Size: A4	Date: 3 apr 2014	Rev: A
KiCad E.D.A. eschema (2013-07-07 BZR 4022)-stable		Id: 4/4