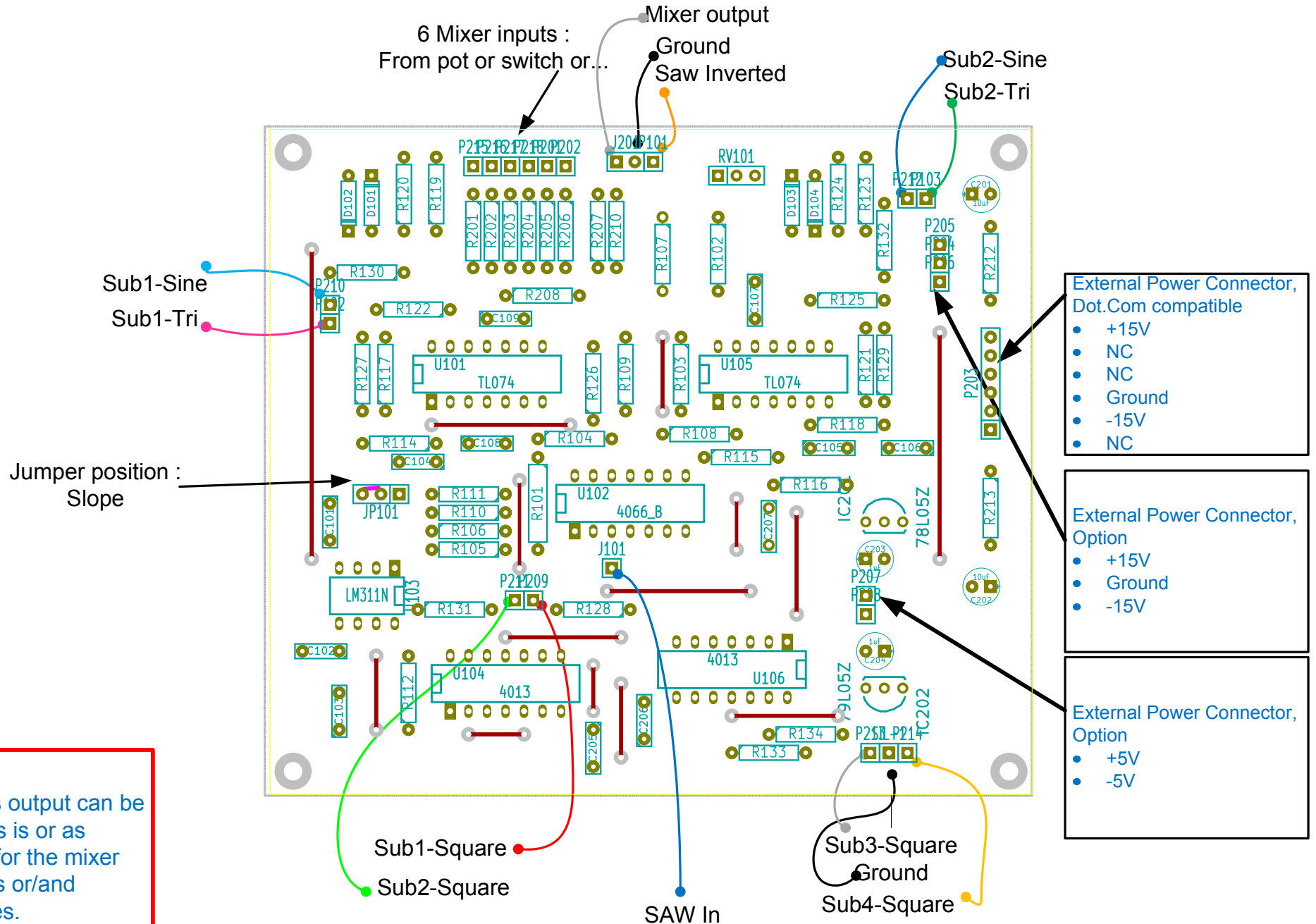


Sub-Octaves Interconnection



Signals output can be used as is or as inputs for the mixer via pots or/and switches.